

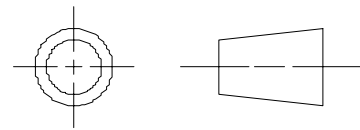
12	0C0016_LSRAMP	16
11	0C0013_PINION	16
10	POLOLU-25D-MM-MET AL-GEARMOTOR-BRA CKET_STEP	16
9	0C0010	16
8	0C0011	16
7	0C0009	16
6	0C0012	16
5	0C0015	4
4	0C0005	18
3	0C0004	24
2	0C0001	24
1	0C0002	24
PC NO	PART NAME	QTY



UNIVERSITY OF ROCHESTER

FIRST ISSUED	4/24/22	TITLE		
DRAWN BY	Kahn	NMR Full Assembly		
MATERIAL				
FINISH		SIZE	DRG NO.	SHEET REV
REVIEWED BY	Ramos	B	0a0001	A
		SCALE 1:1	SHEET 3 OF 3	

ALL DIMENSIONS IN INCHES



1

2

3

4

5

6

A

A

UNLESS OTHERWISE SPECIFIED

ANGLES ± 0.5°	X ± 0.025	X.X ± 0.020	X.XX ± 0.010	X.XXX ± 0.005	X.XXXX ± 0.0005
------------------	--------------	----------------	-----------------	------------------	--------------------

B

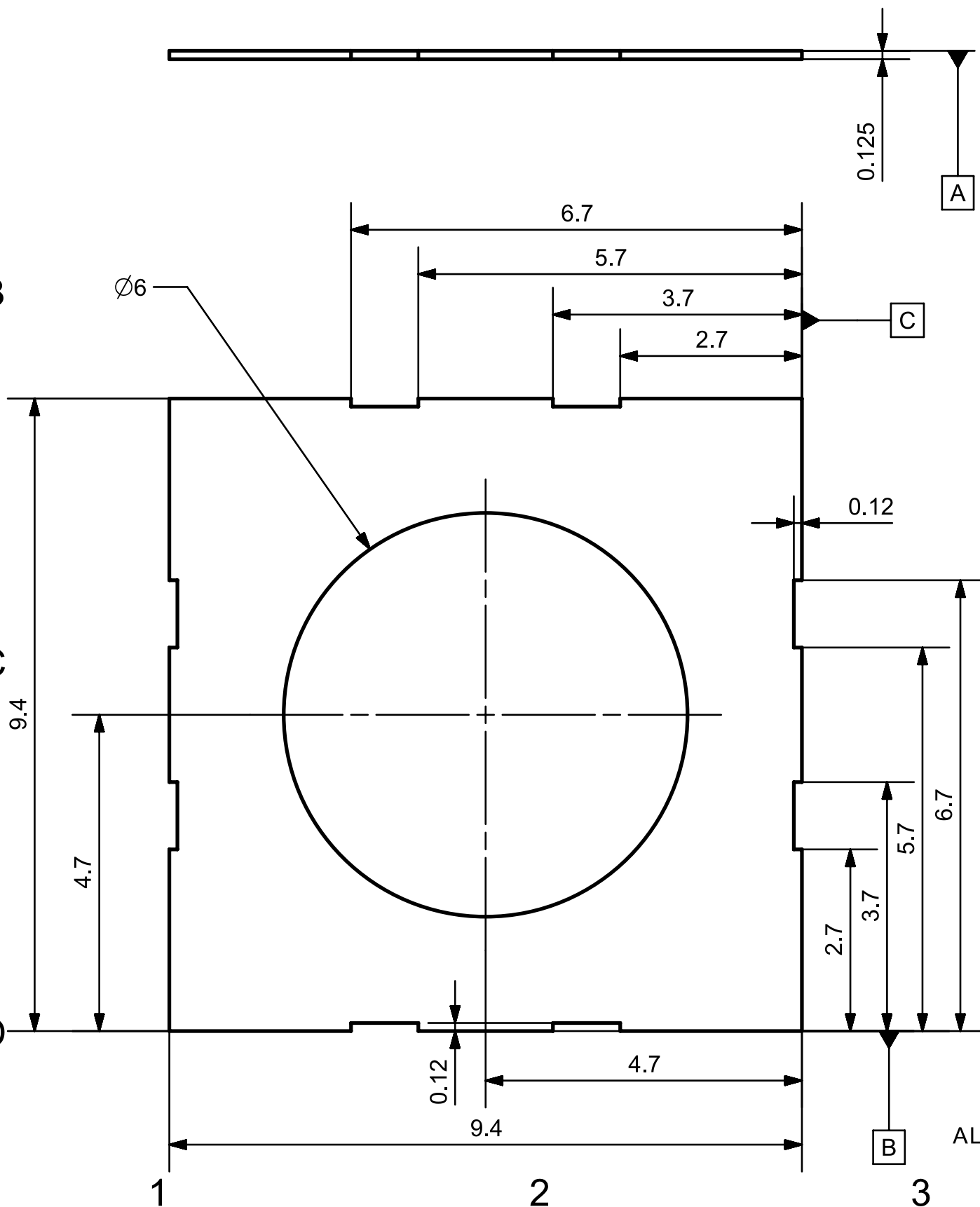
B

C

C

D

D



ALL DIMENSIONS IN INCHES

4

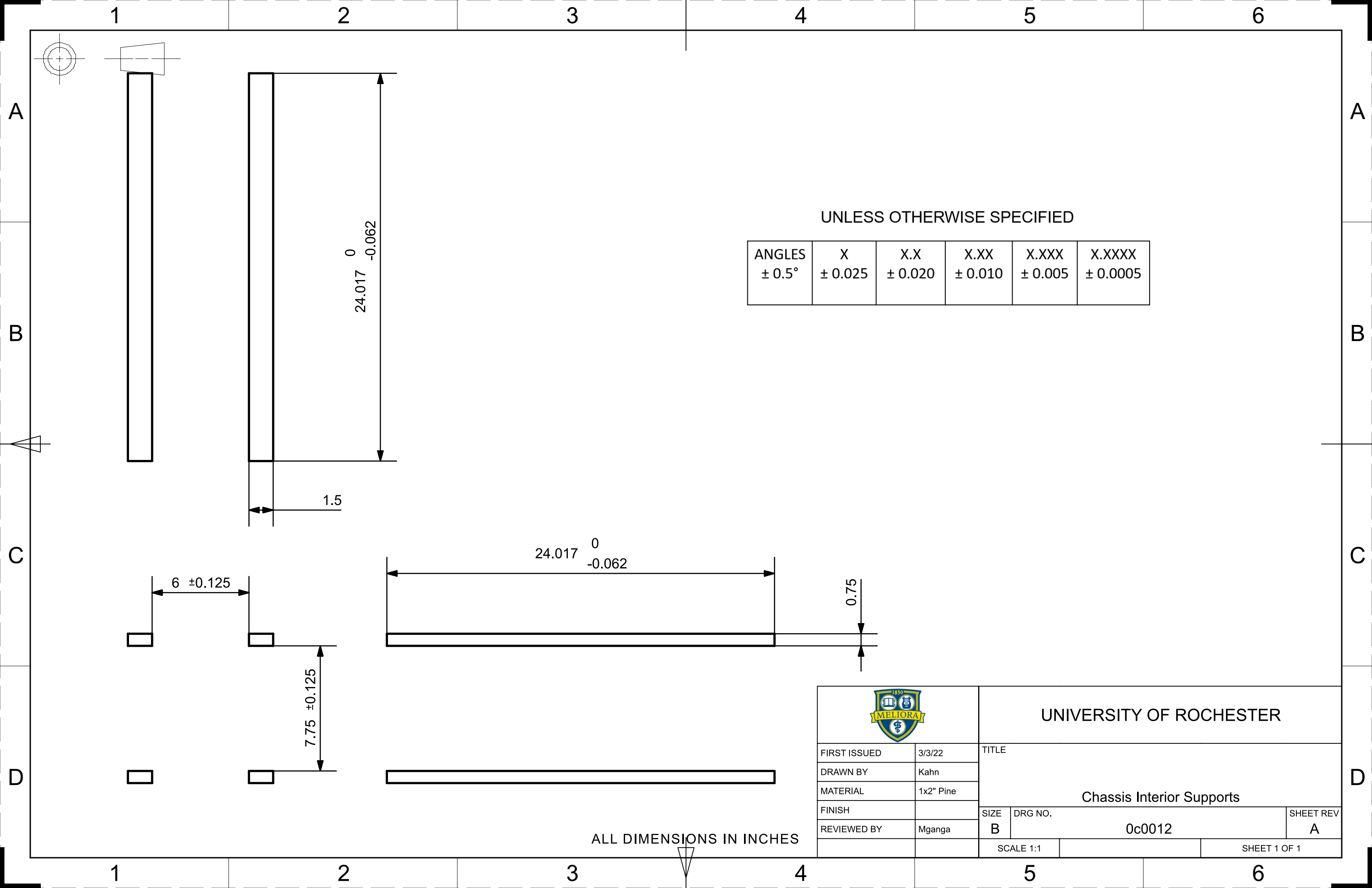
5

6




UNIVERSITY OF ROCHESTER

FIRST ISSUED	3/2/22	TITLE			
DRAWN BY	Kahn	Square Panel			
MATERIAL	Birch Plywood				
FINISH		SIZE	DRG NO.	SHEET REV	
REVIEWED BY	Ramos	B	0c0005	A	
		SCALE 1:2			SHEET 1 OF 1

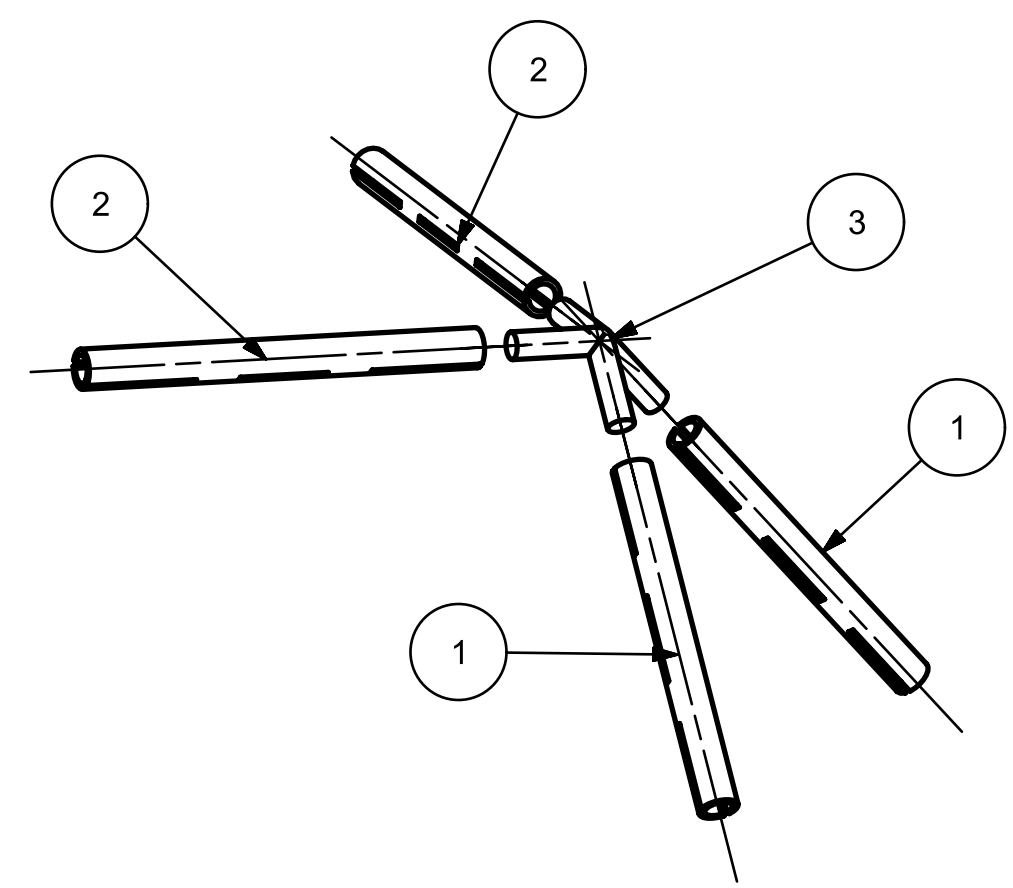
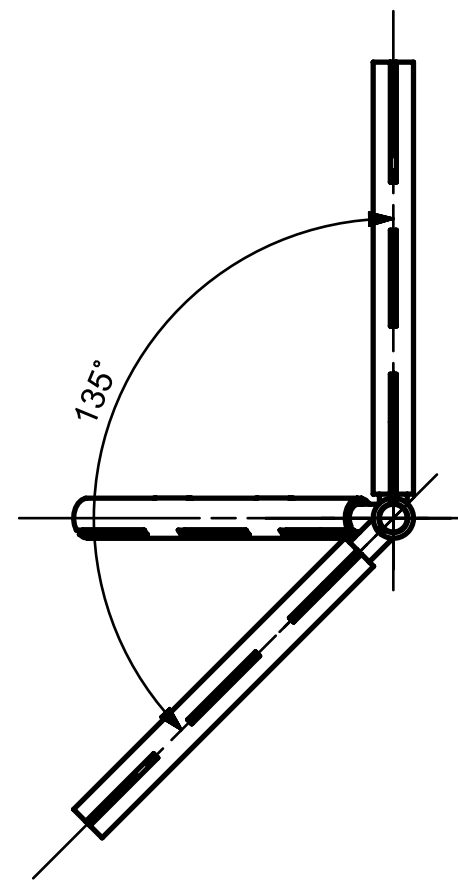
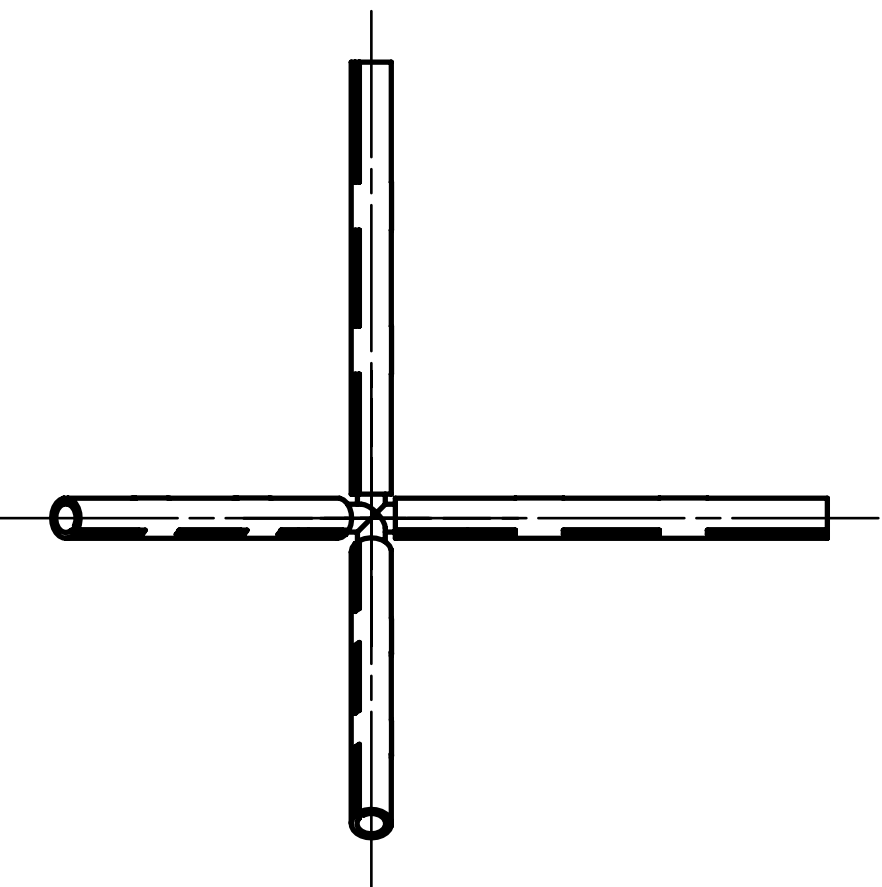
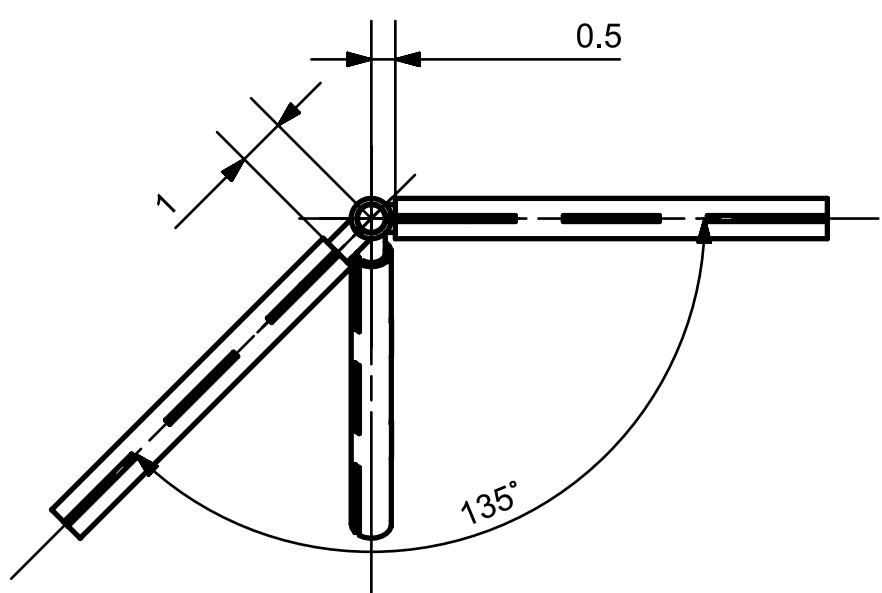
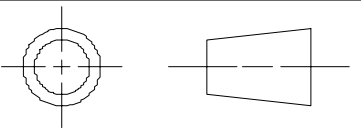


UNLESS OTHERWISE SPECIFIED

ANGLES ± 0.5°	X ± 0.025	X.X ± 0.020	X.XX ± 0.010	X.XXX ± 0.005	X.XXXX ± 0.0005
------------------	--------------	----------------	-----------------	------------------	--------------------

		UNIVERSITY OF ROCHESTER			
		TITLE			
FIRST ISSUED	3/3/22	Chassis Interior Supports			
DRAWN BY	Kahn				
MATERIAL	1x2" Pine	SIZE	DRG NO.		SHEET REV
FINISH		B	0c0012		A
REVIEWED BY	Mganga	SCALE 1:1		SHEET 1 OF 1	

ALL DIMENSIONS IN INCHES



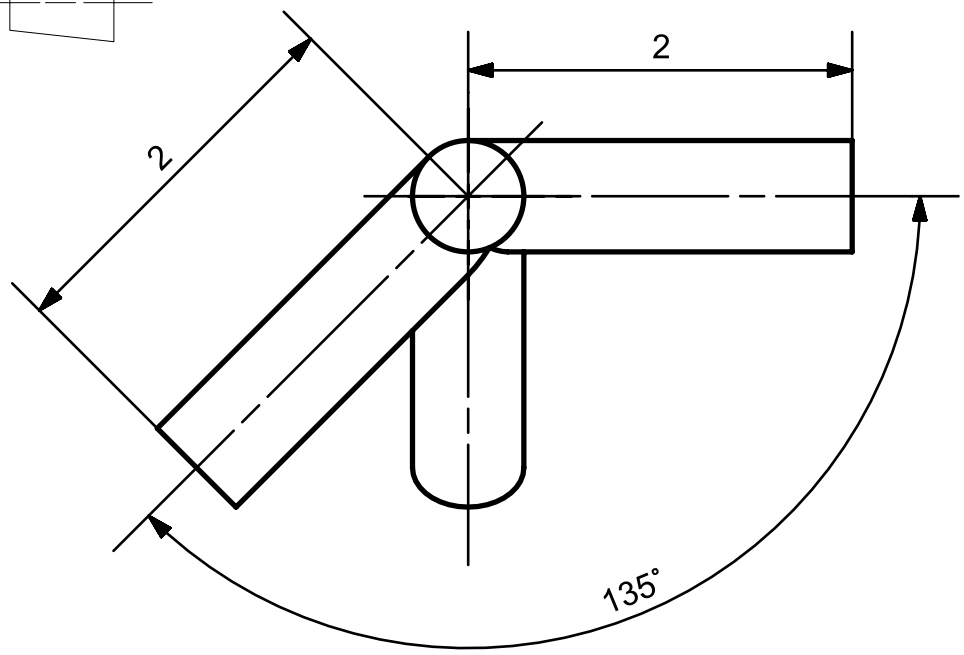
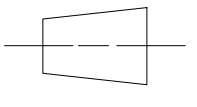
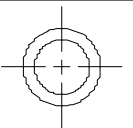
3	0C0002	2
2	0C0001	2
1	0C0004	1
PC NO	PART NAME	QTY



UNIVERSITY OF ROCHESTER

FIRST ISSUED	3/2/22	TITLE		
DRAWN BY	Kahn	Chassis Corner Joint		
MATERIAL				
FINISH		SIZE	DRG NO.	SHEET REV
REVIEWED BY	Mganga	B	0a0002	A
		SCALE 1:4	SHEET 2 OF 2	

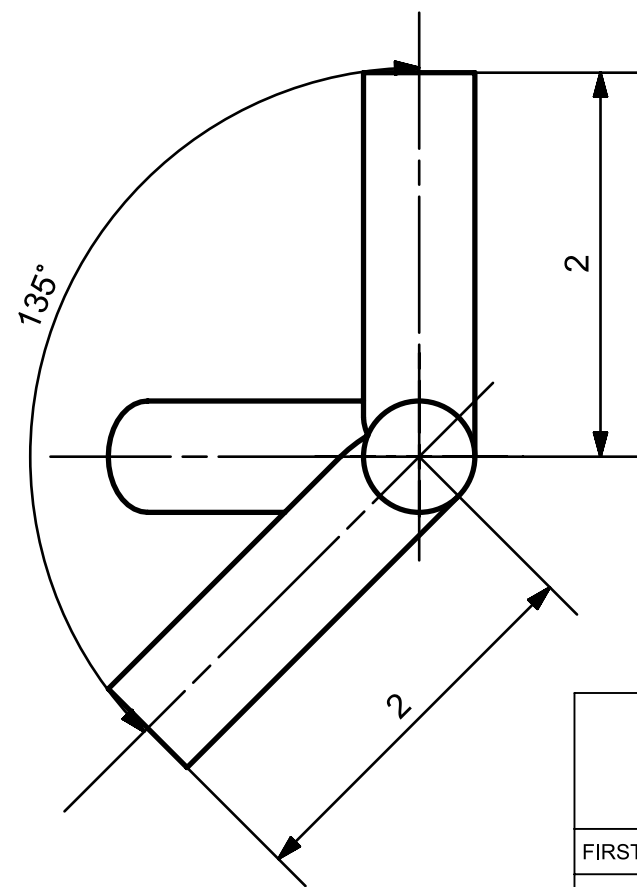
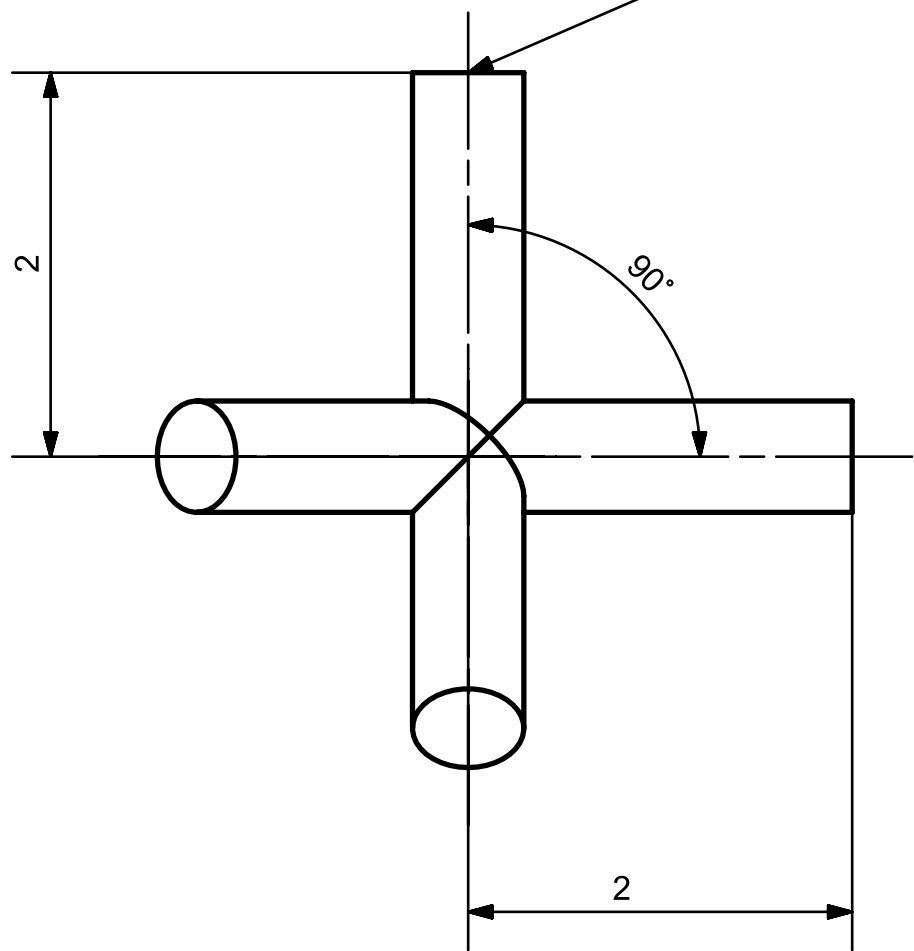
ALL DIMENSIONS IN INCHES



UNLESS OTHERWISE SPECIFIED

ANGLES	X	X.X	X.XX	X.XXX	X.XXXX
± 0.5°	± 0.025	± 0.020	± 0.010	± 0.005	± 0.0005

4X $\varnothing 0.58$ $\begin{matrix} 0 \\ -0.01 \end{matrix}$

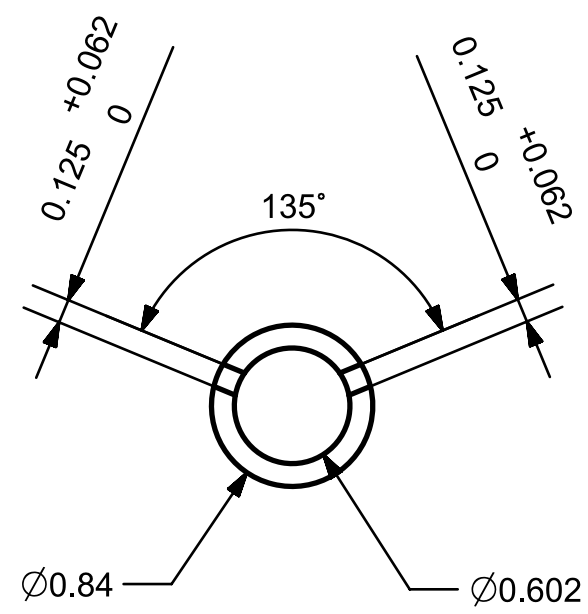
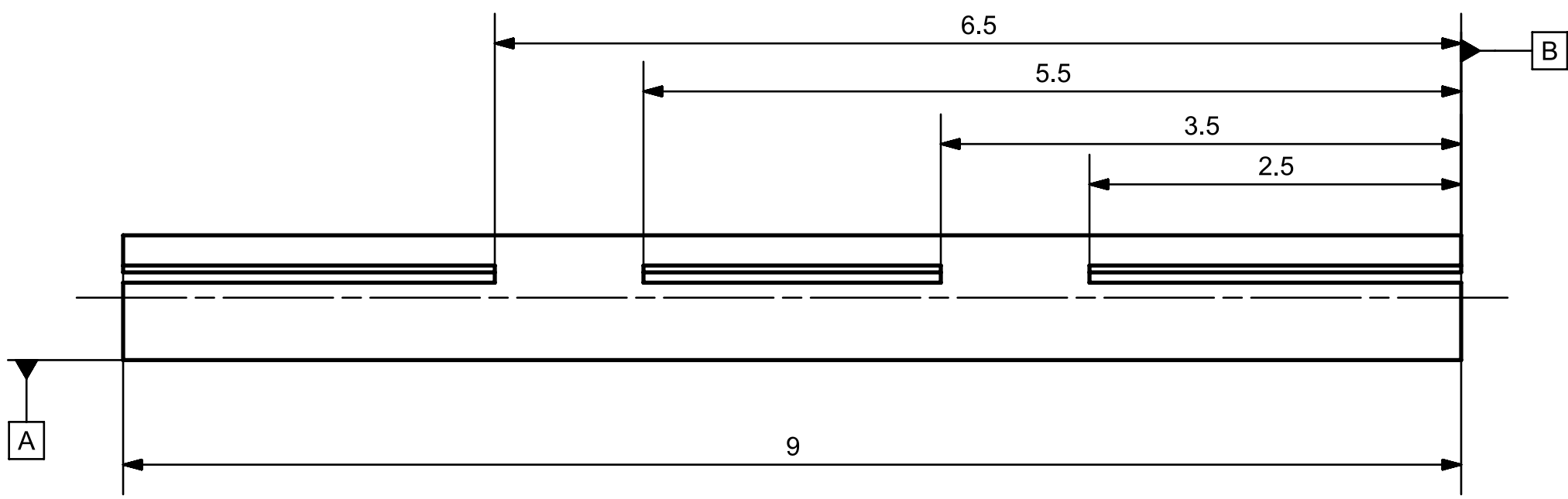
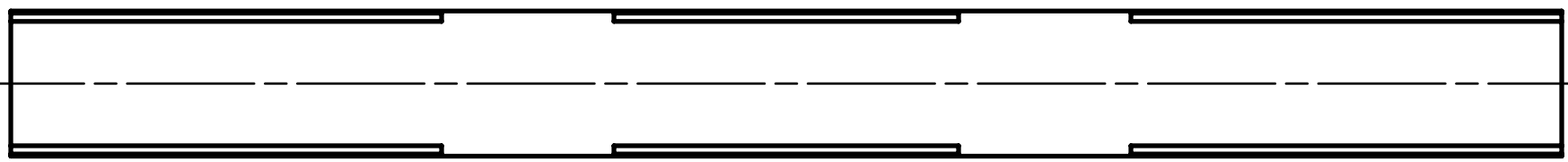
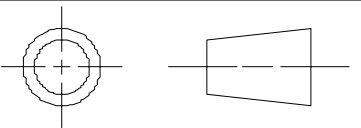


ALL DIMENSIONS IN INCHES



UNIVERSITY OF ROCHESTER

FIRST ISSUED	3/2/22	TITLE			
DRAWN BY	Kahn	Joint Connector			
MATERIAL	PLA				
FINISH		SIZE	DRG NO.	SHEET REV	
REVIEWED BY	Ramos	B	0c0004	A	
		SCALE 1:1	SHEET 1 OF 1		



UNLESS OTHERWISE SPECIFIED

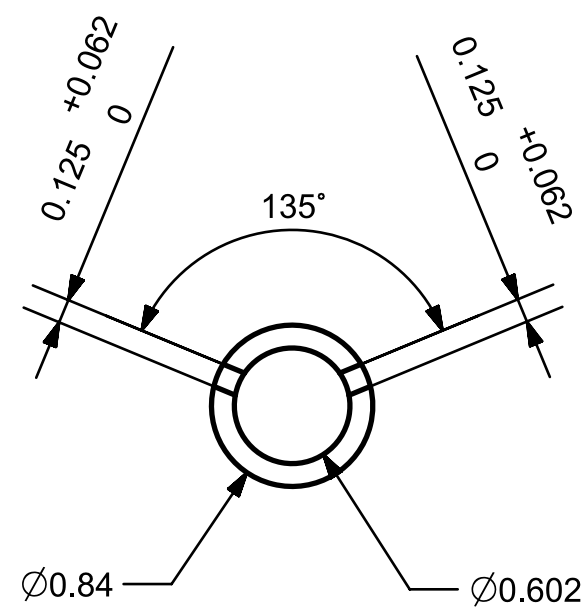
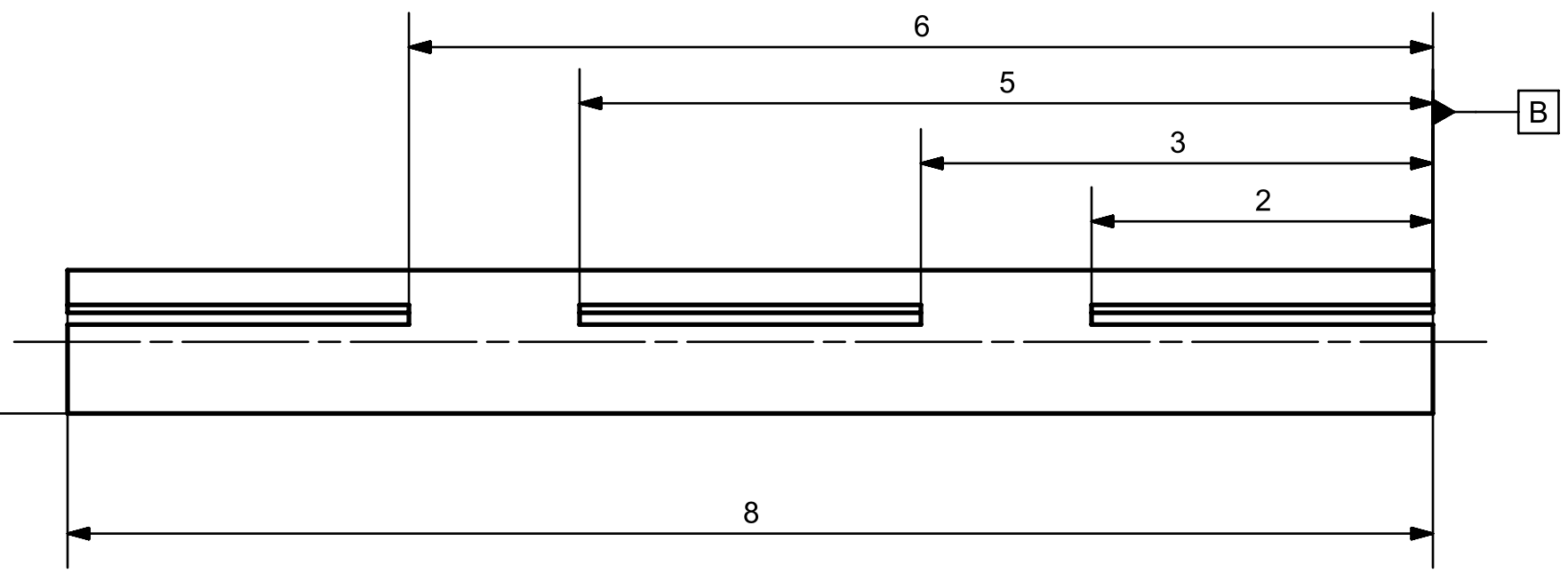
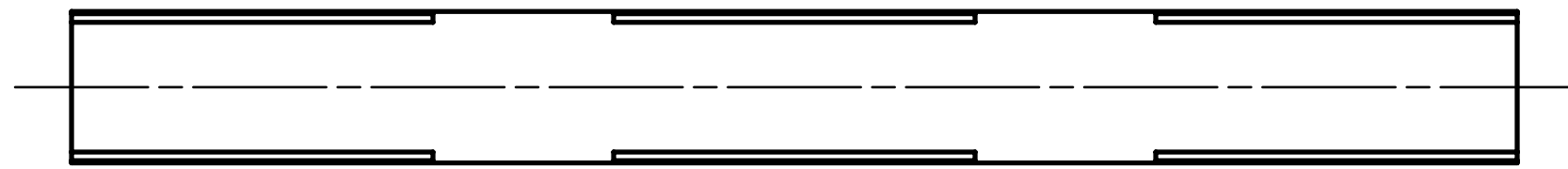
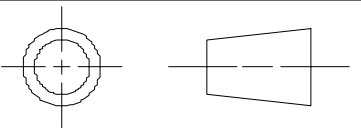
ANGLES ± 0.5°	X ± 0.025	X.X ± 0.020	X.XX ± 0.010	X.XXX ± 0.005	X.XXXX ± 0.0005
------------------	--------------	----------------	-----------------	------------------	--------------------

ALL DIMENSIONS IN INCHES



UNIVERSITY OF ROCHESTER

FIRST ISSUED	3/2/22	TITLE		
DRAWN BY	Kahn	Chassis Square Edge		
MATERIAL	1/2" PVC			
FINISH		SIZE	DRG NO.	SHEET REV
REVIEWED BY	Mganga	B	0c0002	A
		SCALE 1:1	SHEET 2 OF 2	



UNLESS OTHERWISE SPECIFIED

ANGLES ± 0.5°	X ± 0.025	X.X ± 0.020	X.XX ± 0.010	X.XXX ± 0.005	X.XXXX ± 0.0005
------------------	--------------	----------------	-----------------	------------------	--------------------

ALL DIMENSIONS IN INCHES



UNIVERSITY OF ROCHESTER

FIRST ISSUED	3/2/22	TITLE		
DRAWN BY	Kahn	Chassis Triangle Edge		
MATERIAL	1/2" PVC			
FINISH		SIZE	DRG NO.	SHEET REV
REVIEWED BY	Mganga	B	0c0001	A
		SCALE 1:1	SHEET 2 OF 2	

1

2

3

4

A

A

B

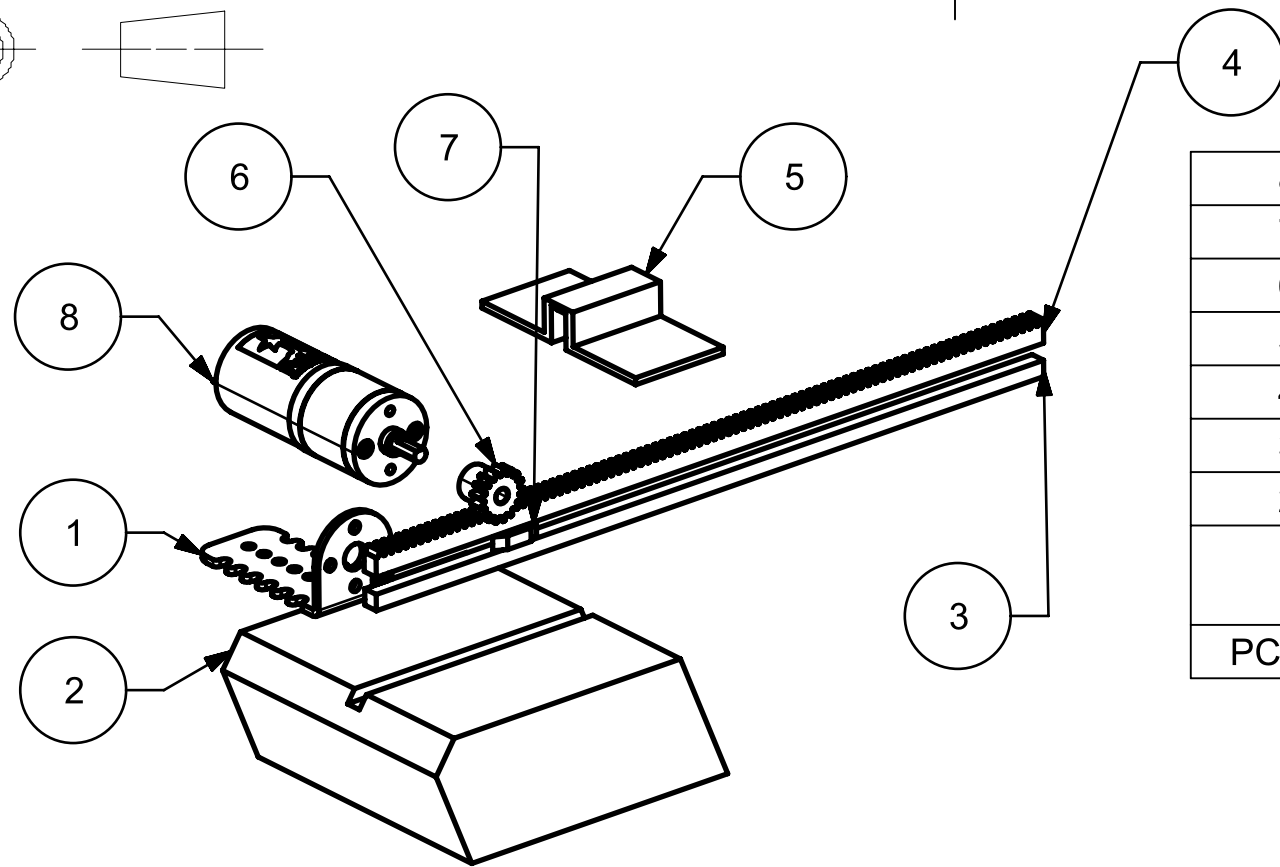
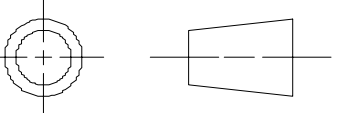
B

C

C

D

D



8	0C0014_MOTOR	1
7	0C0016_LSRAMP	1
6	0C0013_PINION	1
5	0C0012	1
4	0C0009	1
3	0C0011	1
2	0C0010	1
1	0C0017_MOTORBRACKET	1
PC NO	PART NAME	QTY



UNIVERSITY OF ROCHESTER

FIRST ISSUED	4/24/22
DRAWN BY	RAMOS
MATERIAL	
FINISH	
REVIEWED BY	KAHN

TITLE		
MOTOR ASSEMBLY		
SIZE	DRG NO.	SHEET REV
A4	0a0003	A

ALL DIMENSIONS IN MM

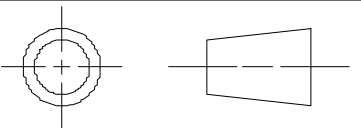
SCALE 1:2 SHEET 1 OF 1

1

2

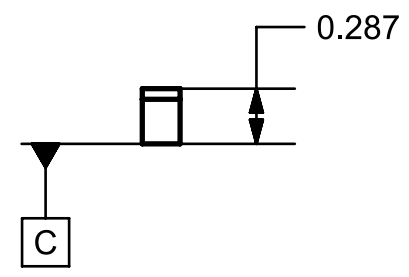
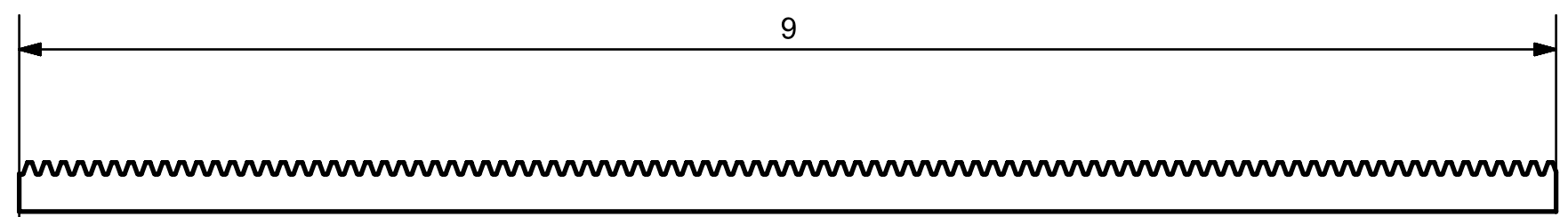
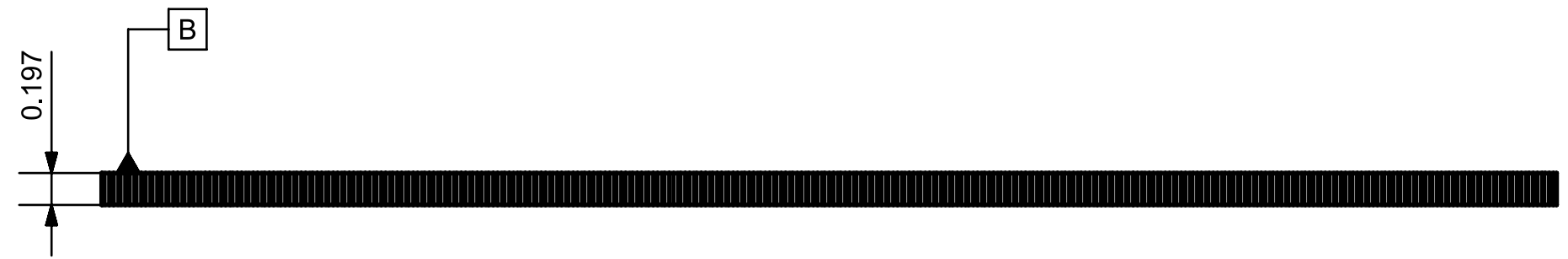
3

4



UNLESS OTHERWISE SPECIFIED

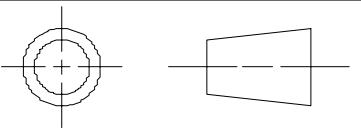
ANGLES ± 0.5°	X ± 0.025	X.X ± 0.020	X.XX ± 0.010	X.XXX ± 0.005	X.XXXX ± 0.0005
------------------	--------------	----------------	-----------------	------------------	--------------------



UNIVERSITY OF ROCHESTER

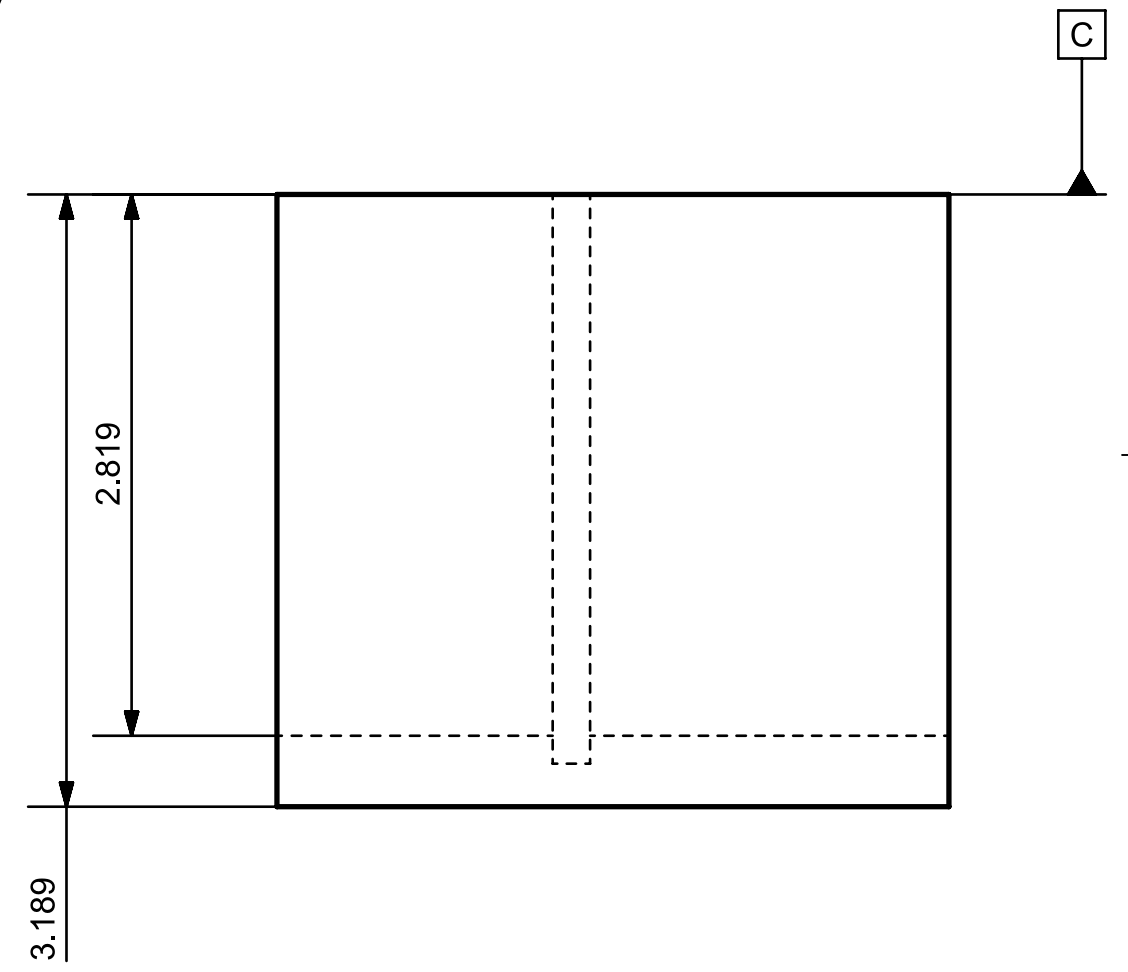
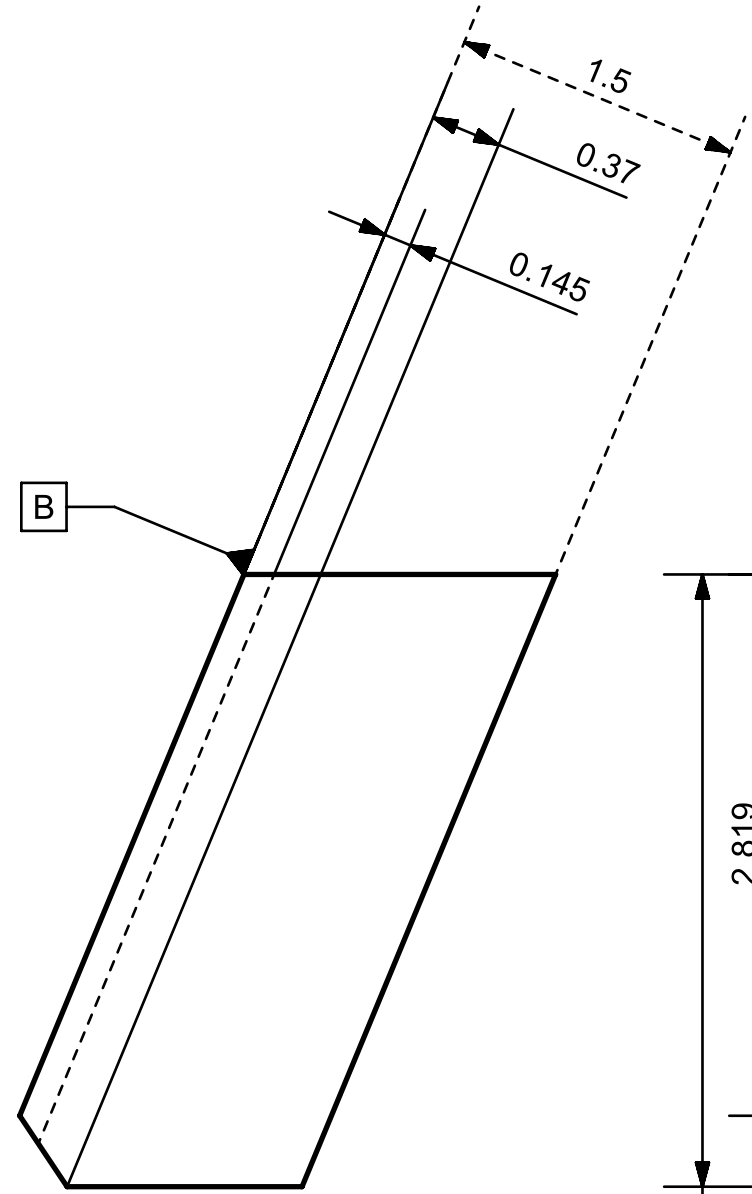
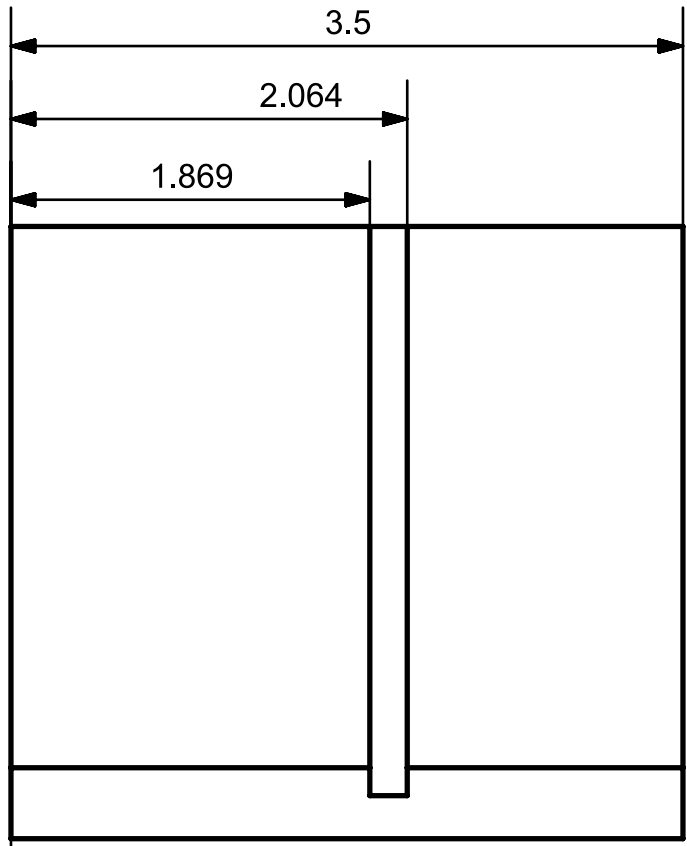
FIRST ISSUED	04/24/22	TITLE		
DRAWN BY	Kahn	Rack		
MATERIAL	Acetal Plastic			
FINISH		SIZE	DRG NO.	SHEET REV
REVIEWED BY	Mganga	B	0c0009	A
		SCALE 1:1	SHEET 1 OF 1	

ALL DIMENSIONS IN INCHES



UNLESS OTHERWISE SPECIFIED

ANGLES	X	X.X	X.XX	X.XXX	X.XXXX
± 0.5°	± 0.025	± 0.020	± 0.010	± 0.005	± 0.0005



A

B

C

3.189

2.819

1.5

0.37

0.145

3.5

2.064

1.869

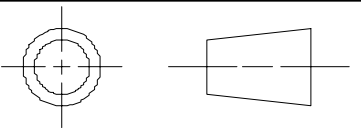


UNIVERSITY OF ROCHESTER

FIRST ISSUED	4/20/22	TITLE Mounting Block		
DRAWN BY	Ramos			
MATERIAL	Lumber			
FINISH	NONE			
REVIEWED BY	Mganga	SIZE	DRG NO.	SHEET REV
		B	0c0010	A

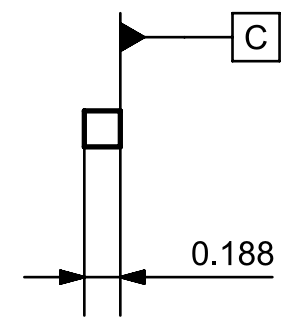
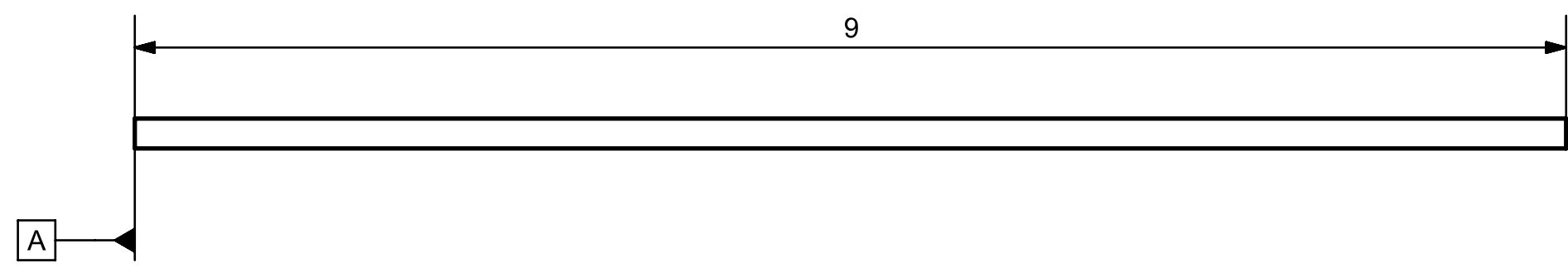
SCALE 1:1	SHEET 1 OF 1
-----------	--------------

ALL DIMENSIONS IN INCHES



UNLESS OTHERWISE SPECIFIED

ANGLES ± 0.5°	X ± 0.025	X.X ± 0.020	X.XX ± 0.010	X.XXX ± 0.005	X.XXXX ± 0.0005
------------------	--------------	----------------	-----------------	------------------	--------------------

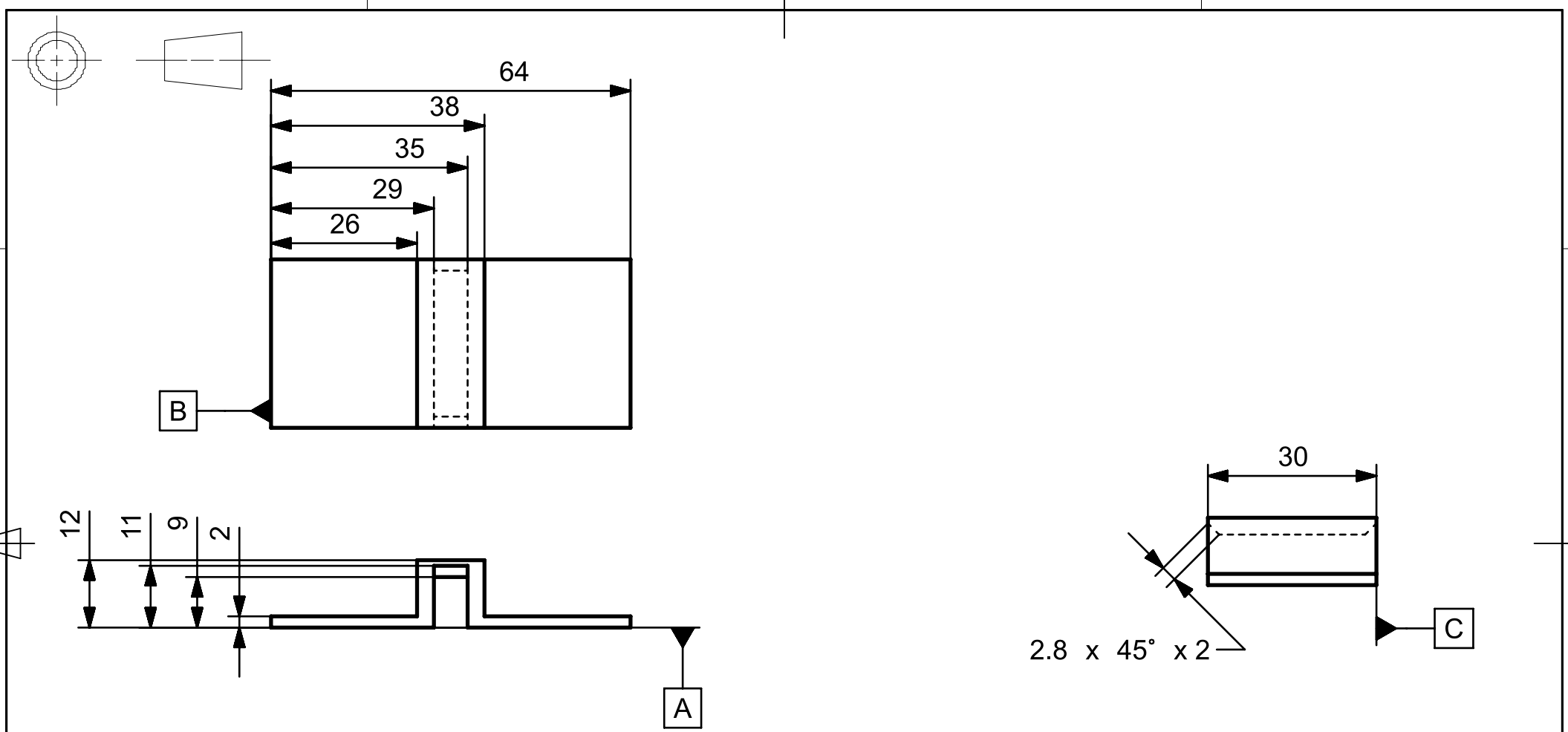


ALL DIMENSIONS IN INCHES



UNIVERSITY OF ROCHESTER

FIRST ISSUED	4/20/22	TITLE			
DRAWN BY	Ramos	Steel Rack Support			
MATERIAL	CR Steel 1018				
FINISH	NONE	SIZE	DRG NO.	SHEET REV	
REVIEWED BY	Kahn	B	0c0011	A	
		SCALE 1:1	SHEET 1 OF 1		



UNIVERSITY OF ROCHESTER

FIRST ISSUED	4/20/22
DRAWN BY	RAMOS
MATERIAL	ABS
FINISH	NONE
REVIEWED BY	MGANGA

TITLE		
Bracket Support		
SIZE	DRG NO.	SHEET REV
A4	0c0012	A

ALL DIMENSIONS IN MM

SCALE 1:1 SHEET 1 OF 1

1

2

3

4

A

A

B

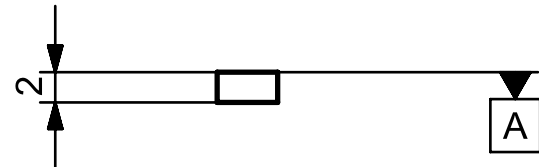
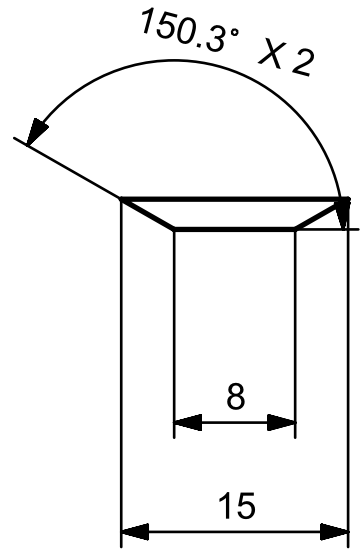
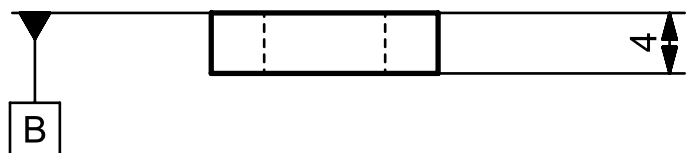
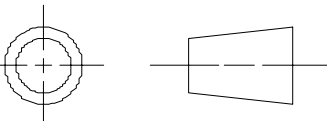
B

C

C

D

D



UNIVERSITY OF ROCHESTER

FIRST ISSUED	4/24/22
DRAWN BY	RAMOS
MATERIAL	ABS
FINISH	NONE
REVIEWED BY	KAHN

TITLE		
Limit Switch Ramp		
SIZE	DRG NO.	SHEET REV
A4	0c0016_LSRamp	A

ALL DIMENSIONS IN MM

SCALE 2:1 SHEET 1 OF 1

1

2

3

4