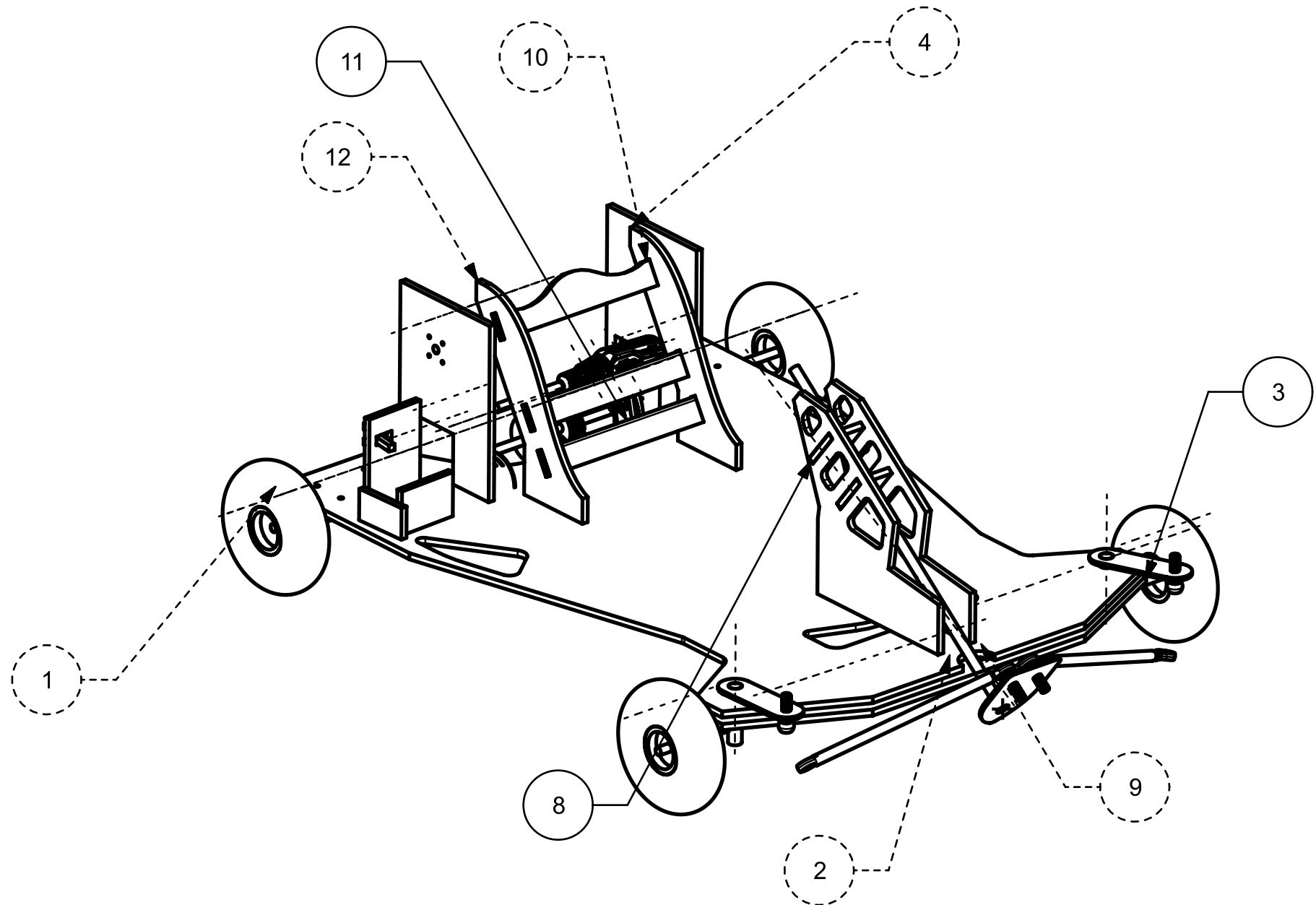

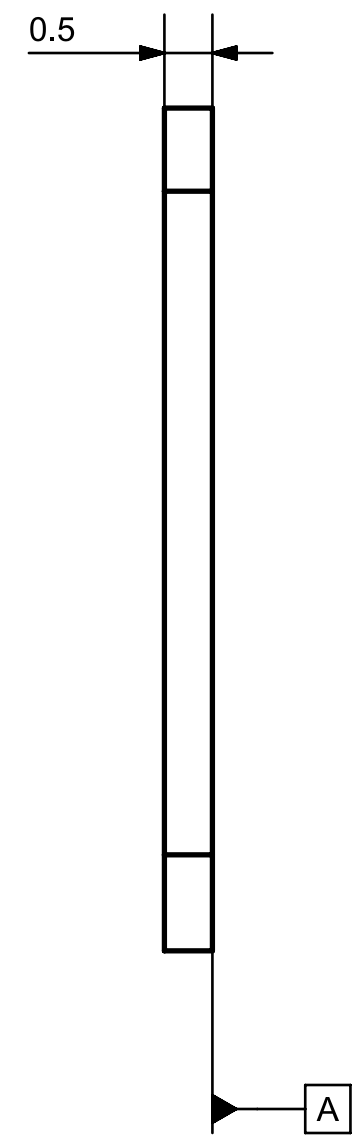
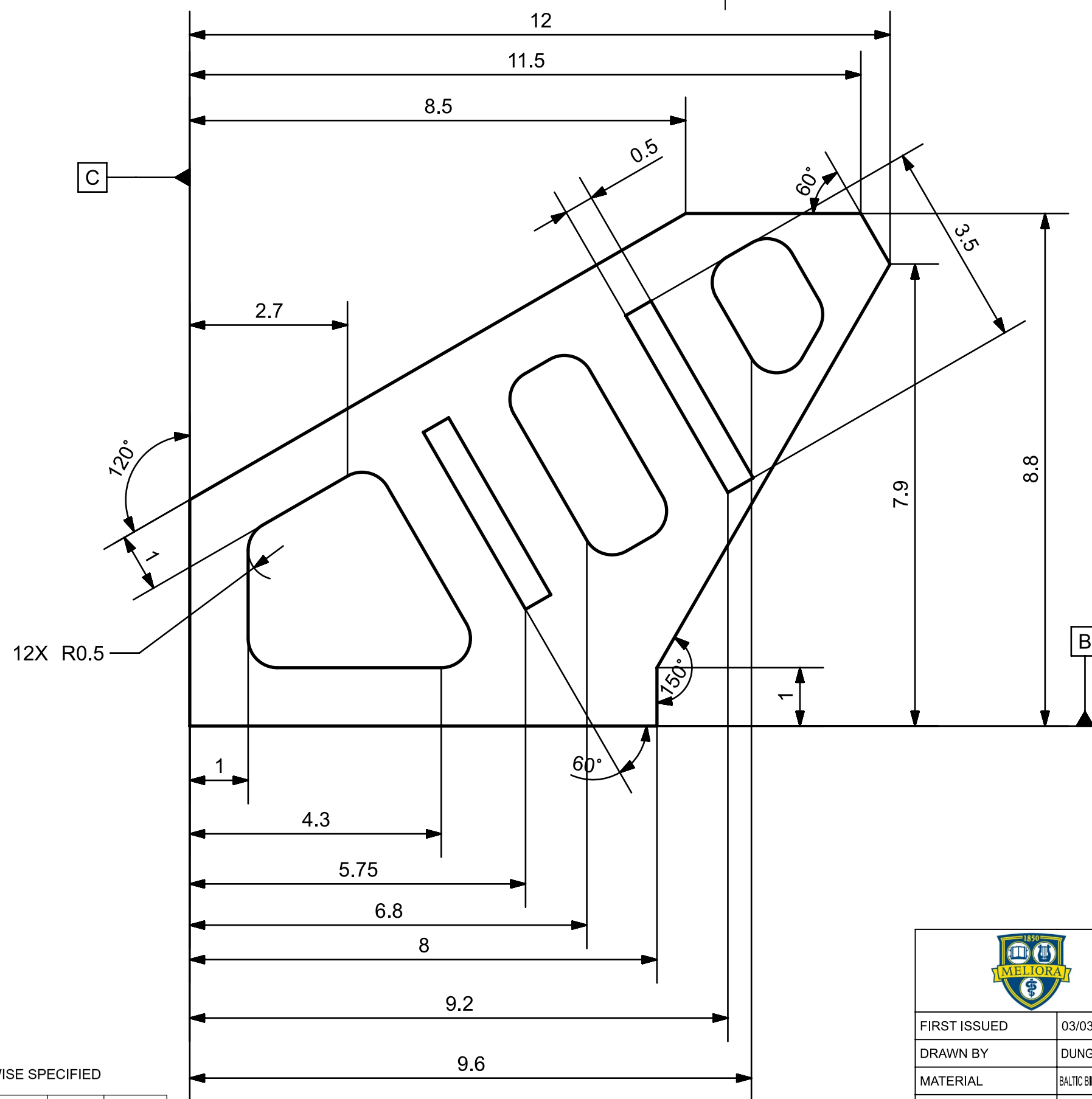
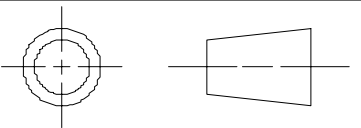


29	BATTERY_CELL_NORJAN-7	12
28	DRIVETRAIN_OC0009A	3
27	TRIGGER_YELLOW_BENPRA-5	1
26	SUB_ASSEMBLY_MOTOR	1
25	SIDE_SCREW_OSCKLI-7	14
24	CHUCK_PLANETARYGEAR	1
23	ENGINE_PLASTIC_INSERTS	2
22	CARDBOARD_SPACE_R_NORJAN-7_STP	2
21	ENGINE_PLASTIC_INSERT_BIG_OSCKLI_7	2
20	ANAHAR_OC00006A	1
19	BEARINGMOUNTS_STEP	3
18	ANAHAR_OC00005A	1
17	ANAHAR_OA00001A	1
16	ANAHAR_OC00002A	1
15	ANAHAR_OC00004A	1
14	ANAHAR_OC00003A	1
13	ANAHAR_OC00001A	1
12	DNGUY23_0006	2
11	DNGUY23_0008	2
10	DNGUY23_0007	1
9	DNGUY23_OC0013	2
8	DNGUY23_OC0011	2
7	DNGUY23_STEERING WHEELS	1
6	DNGUY23_OC0012	2
5	DNGUY23_0004	1
4	DNGUY23_OA003	1
3	DNGUY23_0009	1
2	DNGUY23_OA0002	1
1	DNGUY23_0001	1
PC NO	PART NAME	QTY



		UNIVERSITY OF ROCHESTER		
FIRST ISSUED	03/03/2022	TITLE		
DRAWN BY	DUNG NGUYEN			
MATERIAL		CART ASSEMBLY		
FINISH	N/A			
REVIEWED BY	JIM ALKINS	SIZE	DRG NO.	SHEET REV
		B	fullCart_Assy	A
		SCALE 1:10	SHEET 1 OF 5	






UNLESS OTHERWISE SPECIFIED

ANGLES ± 0.5°	X ± 0.025	X.X ± 0.020	X.XX ± 0.010	X.XXX ± 0.005	X.XXXX ± 0.0005
------------------	--------------	----------------	-----------------	------------------	--------------------

ALL DIMENSIONS IN INCHES

		UNIVERSITY OF ROCHESTER			
FIRST ISSUED	03/03/2022	TITLE			
DRAWN BY	DUNG NGUYEN				
MATERIAL	BALTIC BIRCH PLYWOOD	STEERING SUPPORT			
FINISH	N/A				
REVIEWED BY	JIM ALKINS	SIZE	DRG NO.	dnguy23_0c0013	
		B			
		SCALE 1:2			SHEET 1 OF 1

A

B

C

D

1

2

3

4

5

6

1

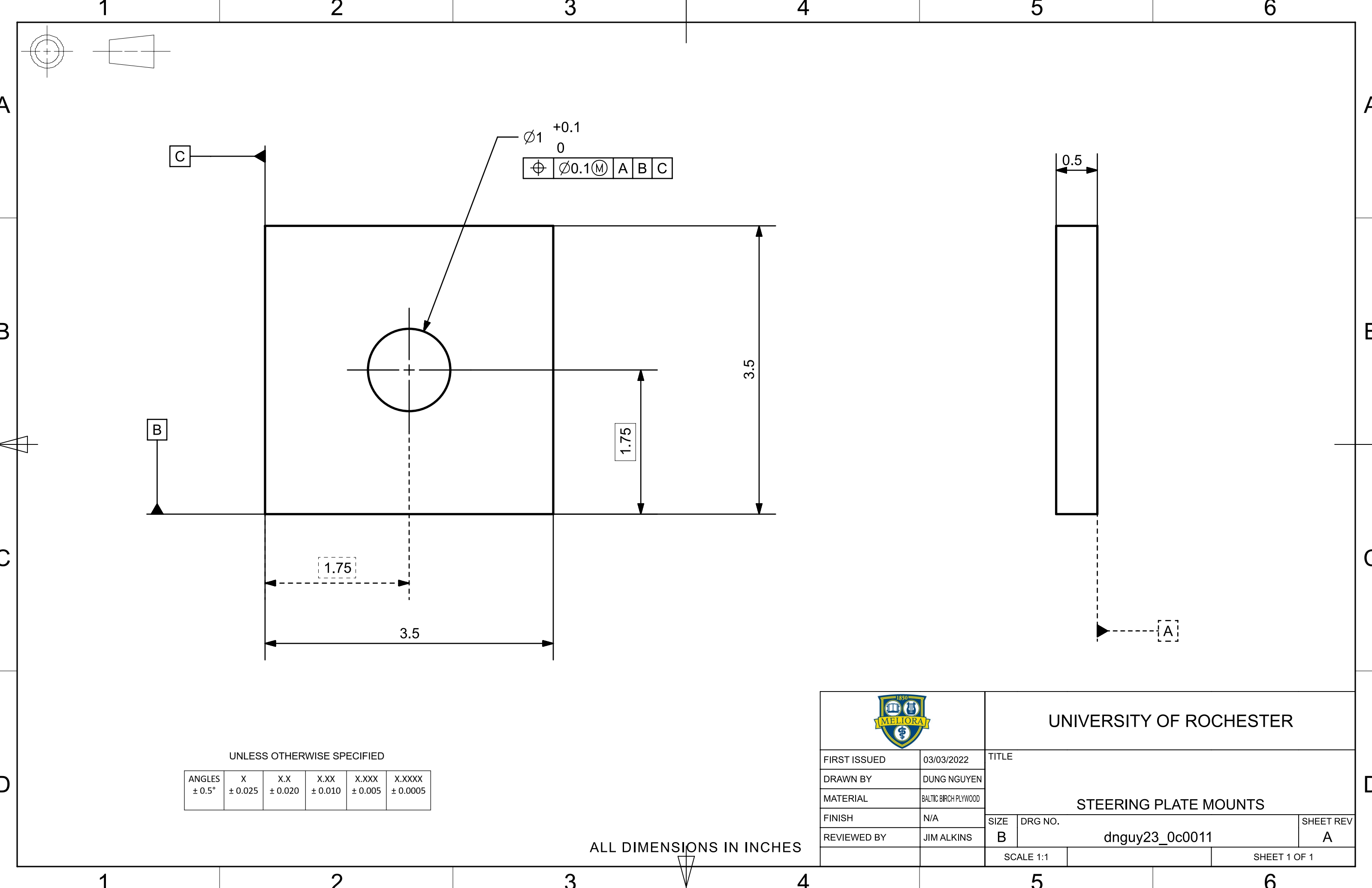
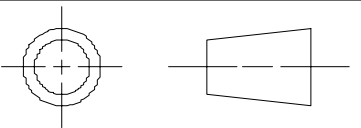
2

3

4

5

6



$\varnothing 1 \begin{matrix} +0.1 \\ 0 \end{matrix}$   
 $\varnothing 0.1 \text{ (M) A B C}$

UNLESS OTHERWISE SPECIFIED

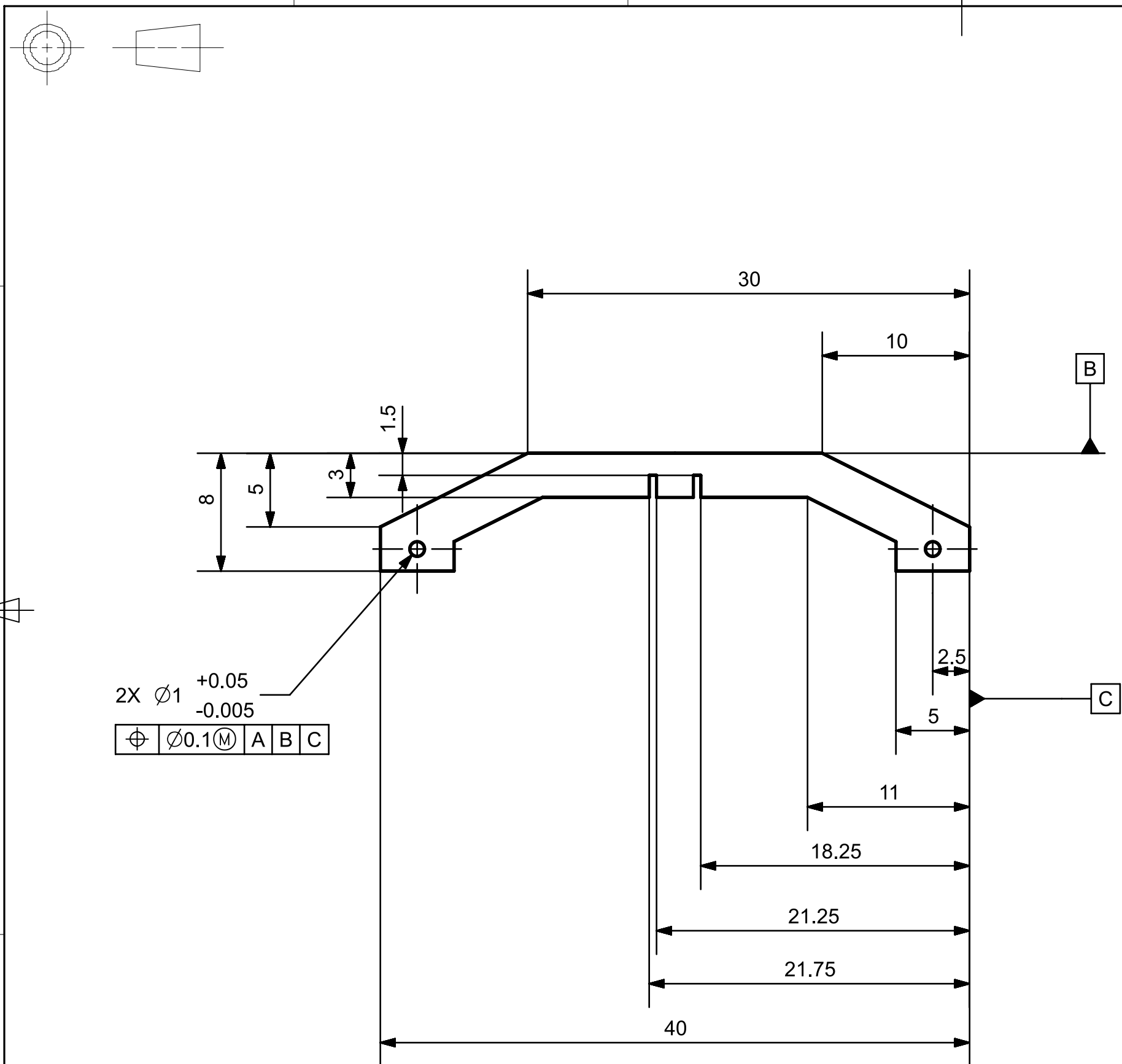
ANGLES	X	X.X	X.XX	X.XXX	X.XXXX
$\pm 0.5^\circ$	$\pm 0.025$	$\pm 0.020$	$\pm 0.010$	$\pm 0.005$	$\pm 0.0005$

ALL DIMENSIONS IN INCHES



UNIVERSITY OF ROCHESTER

FIRST ISSUED	03/03/2022	TITLE		
DRAWN BY	DUNG NGUYEN	STEERING PLATE MOUNTS		
MATERIAL	BALTIC BIRCH PLYWOOD			
FINISH	N/A	SIZE	DRG NO.	SHEET REV
REVIEWED BY	JIM ALKINS	B	dnguy23_0c0011	A
		SCALE 1:1	SHEET 1 OF 1	



2X  $\varnothing 1$   $+0.05$   
 $-0.005$

$\varnothing$	$\varnothing 0.1$	$\text{M}$	A	B	C
---------------	-------------------	------------	---	---	---

UNLESS OTHERWISE SPECIFIED

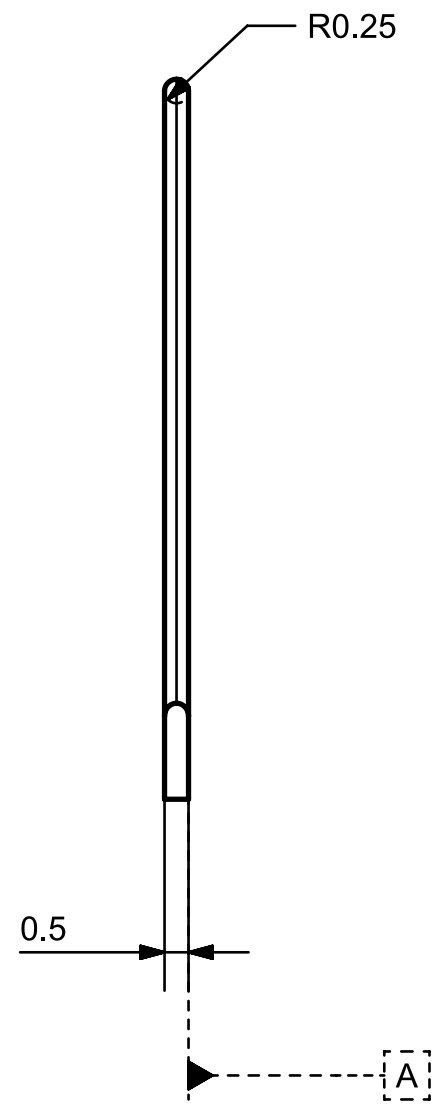
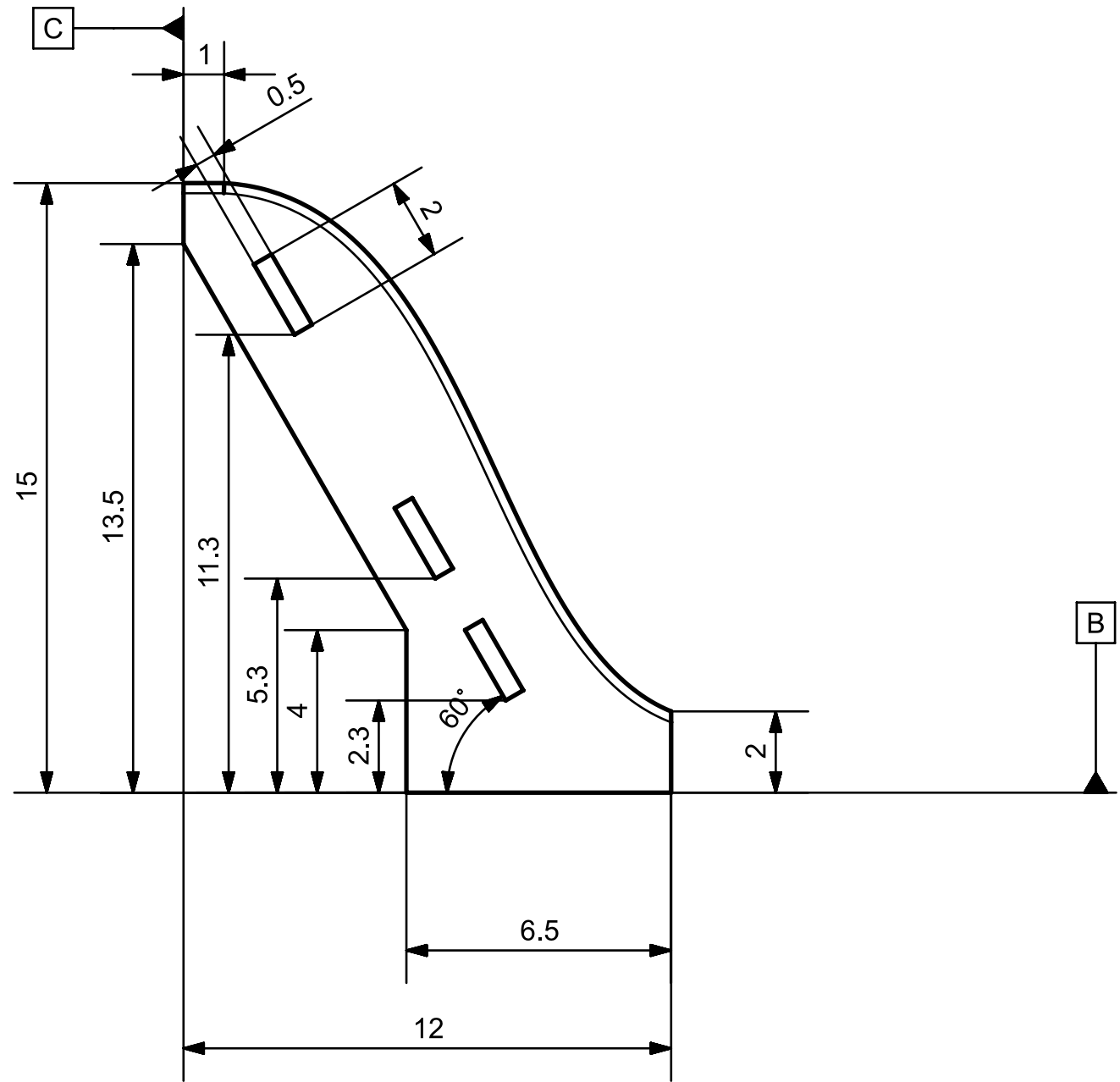
ANGLES	X	X.X	X.XX	X.XXX	X.XXXX
$\pm 0.5^\circ$	$\pm 0.025$	$\pm 0.020$	$\pm 0.010$	$\pm 0.005$	$\pm 0.0005$



UNIVERSITY OF ROCHESTER

FIRST ISSUED	03/03/2022	TITLE			
DRAWN BY	DUNG NGUYEN	FRONT SUPPORT/MOUNTS			
MATERIAL	BALTIC BIRCH PLYWOOD				
FINISH	N/A	SIZE	DRG NO.	SHEET REV	
REVIEWED BY	JIM ALKINS	B	dnguy23_0009	A	
SCALE 1:8			SHEET 1 OF 1		

ALL DIMENSIONS IN INCHES



UNLESS OTHERWISE SPECIFIED

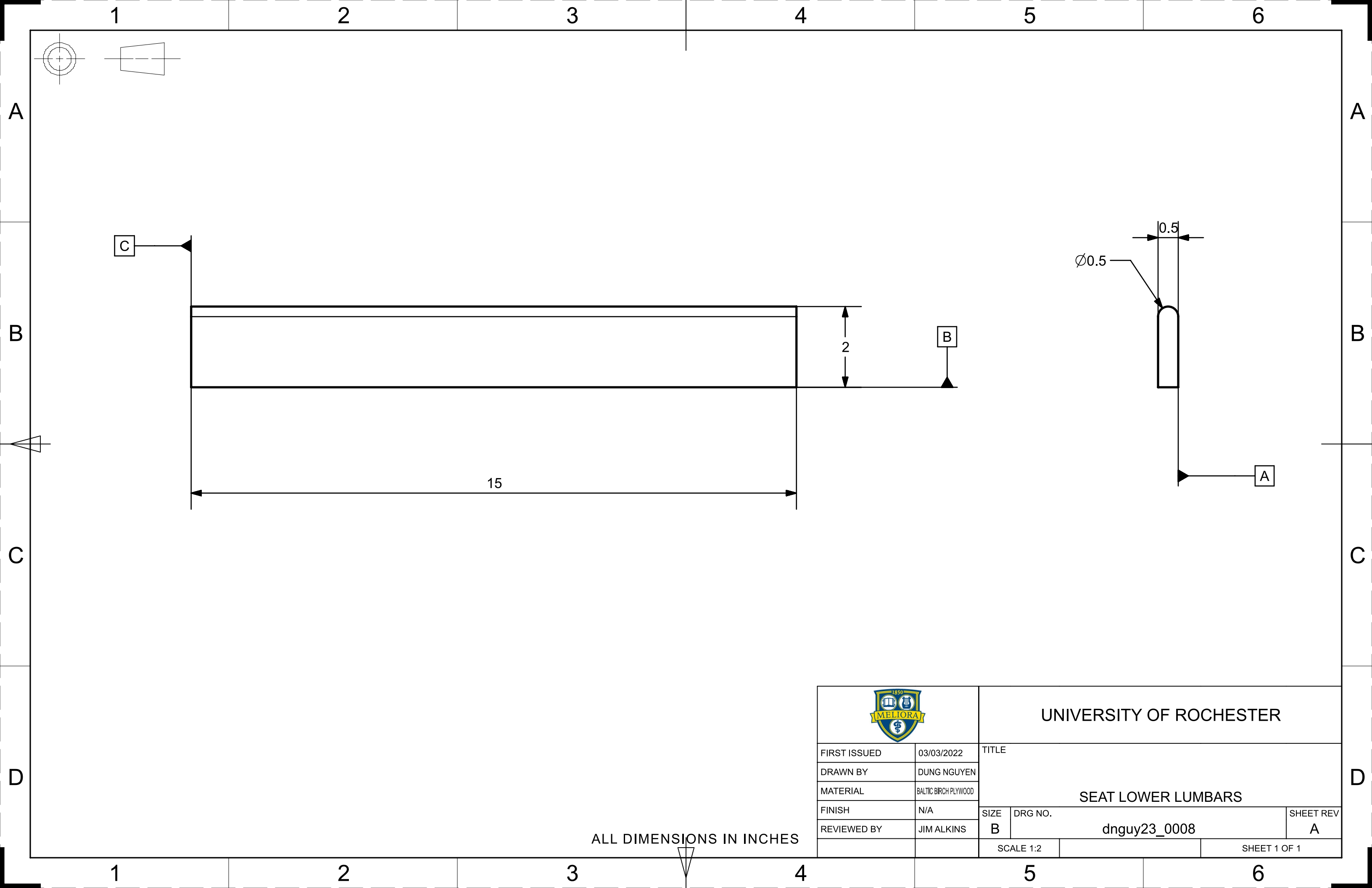
ANGLES ± 0.5°	X ± 0.025	X.X ± 0.020	X.XX ± 0.010	X.XXX ± 0.005	X.XXXX ± 0.0005
------------------	--------------	----------------	-----------------	------------------	--------------------

ALL DIMENSIONS IN INCHES



UNIVERSITY OF ROCHESTER

FIRST ISSUED	03/03/2022	TITLE			
DRAWN BY	DUNG NGUYEN	SEAT SUPPORTS			
MATERIAL	BALTIC BIRCH PLYWOOD				
FINISH	NONE	SIZE	DRG NO.	SHEET REV	
REVIEWED BY	JIM ALKINS	B	dnguy23_0006	A	
SCALE 1:4			SHEET 1 OF 1		



1

2

3

4

5

6

A

A

B

B

C

C

D

D

C

B

A

15

2

∅0.5

0.5



UNIVERSITY OF ROCHESTER

FIRST ISSUED	03/03/2022	TITLE		
DRAWN BY	DUNG NGUYEN	SEAT LOWER LUMBARs		
MATERIAL	BALTIC BIRCH PLYWOOD			
FINISH	N/A	SIZE	DRG NO.	SHEET REV
REVIEWED BY	JIM ALKINS	B	dnguy23_0008	A

SCALE 1:2	SHEET 1 OF 1	
-----------	--------------	--

ALL DIMENSIONS IN INCHES

1

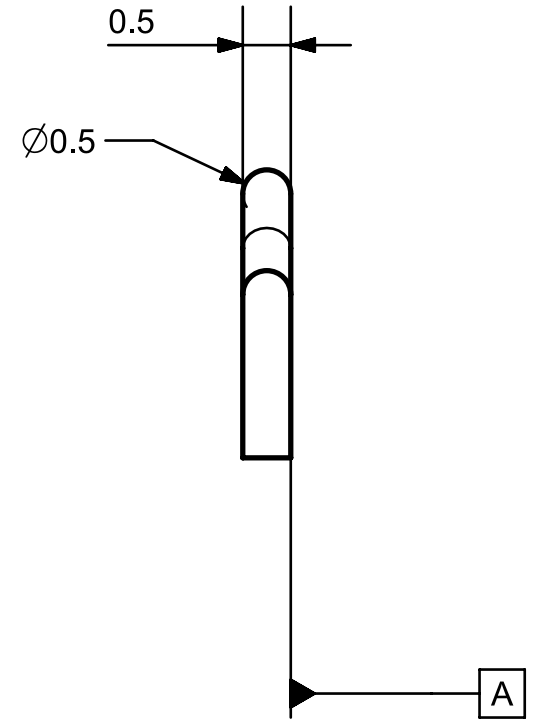
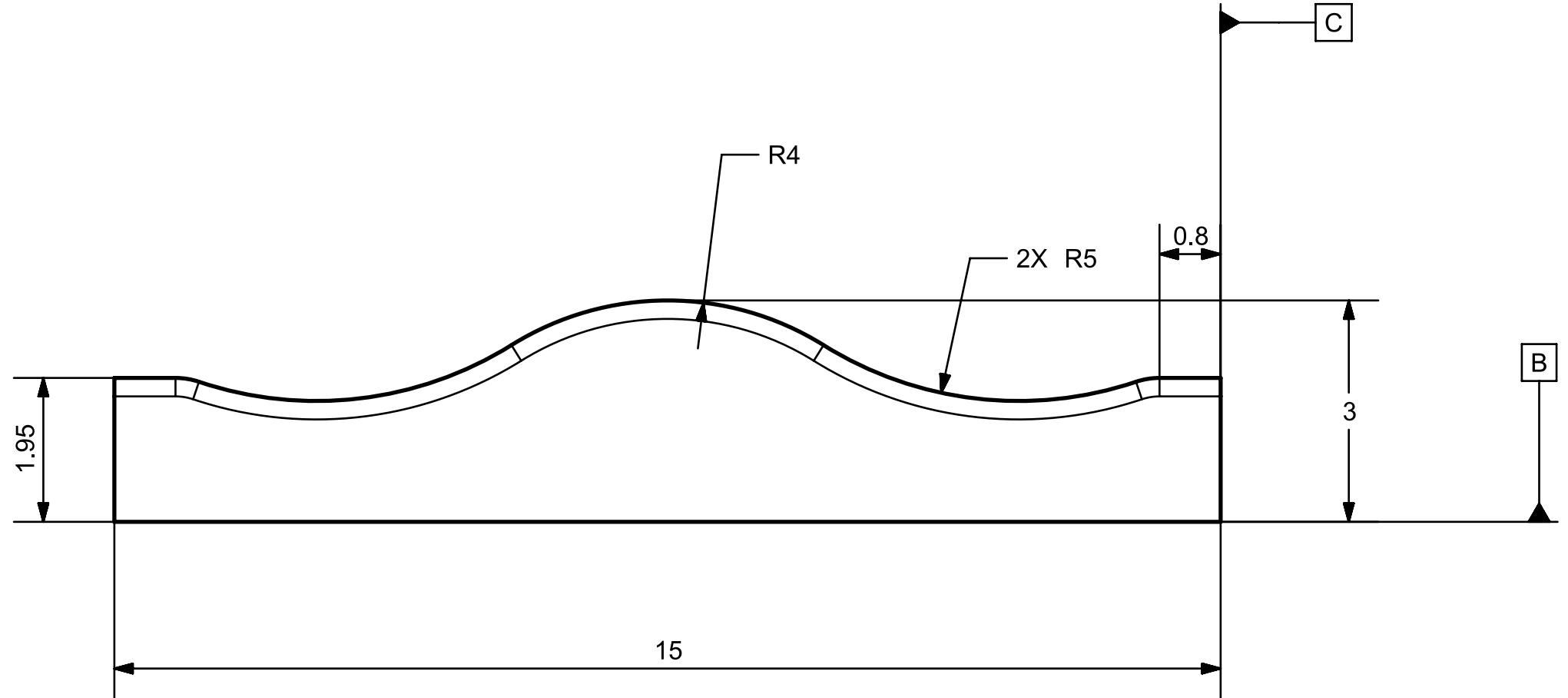
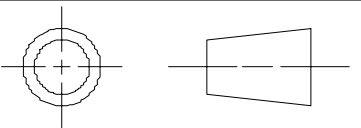
2

3

4

5

6



UNLESS OTHERWISE SPECIFIED

ANGLES	X	X.X	X.XX	X.XXX	X.XXXX
± 0.5°	± 0.025	± 0.020	± 0.010	± 0.005	± 0.0005

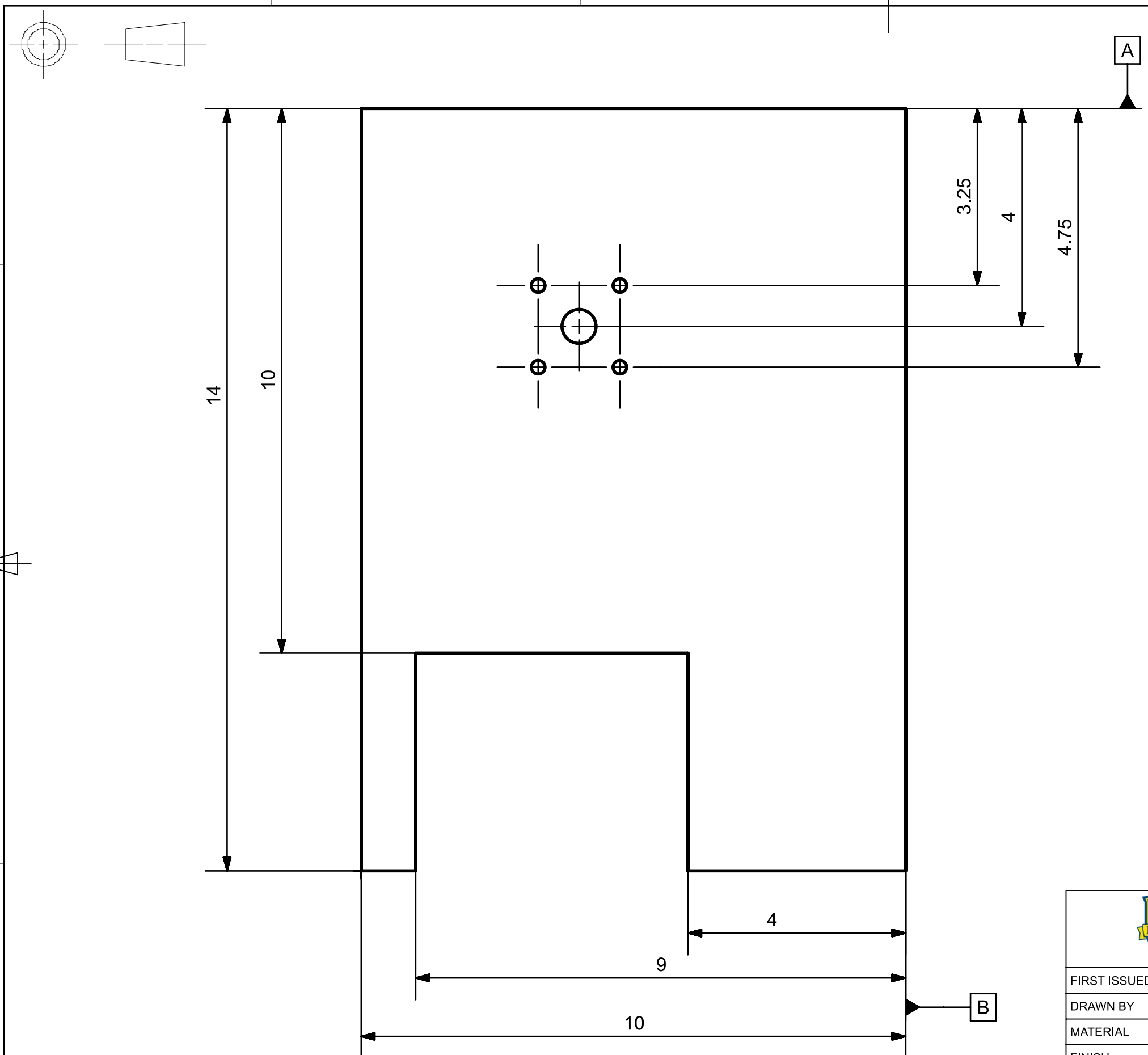
ALL DIMENSIONS IN INCHES



UNIVERSITY OF ROCHESTER


FIRST ISSUED	03/03/2022	TITLE		
DRAWN BY	DUNG NGUYEN	SEAT TOP LUMBAR		
MATERIAL	BALTIC BIRCH PLYWOOD			
FINISH	N/A	SIZE	DRG NO.	SHEET REV
REVIEWED BY	JIM ALKINS	B	dnguy23_0007	A
		SCALE 1:2	SHEET 1 OF 1	



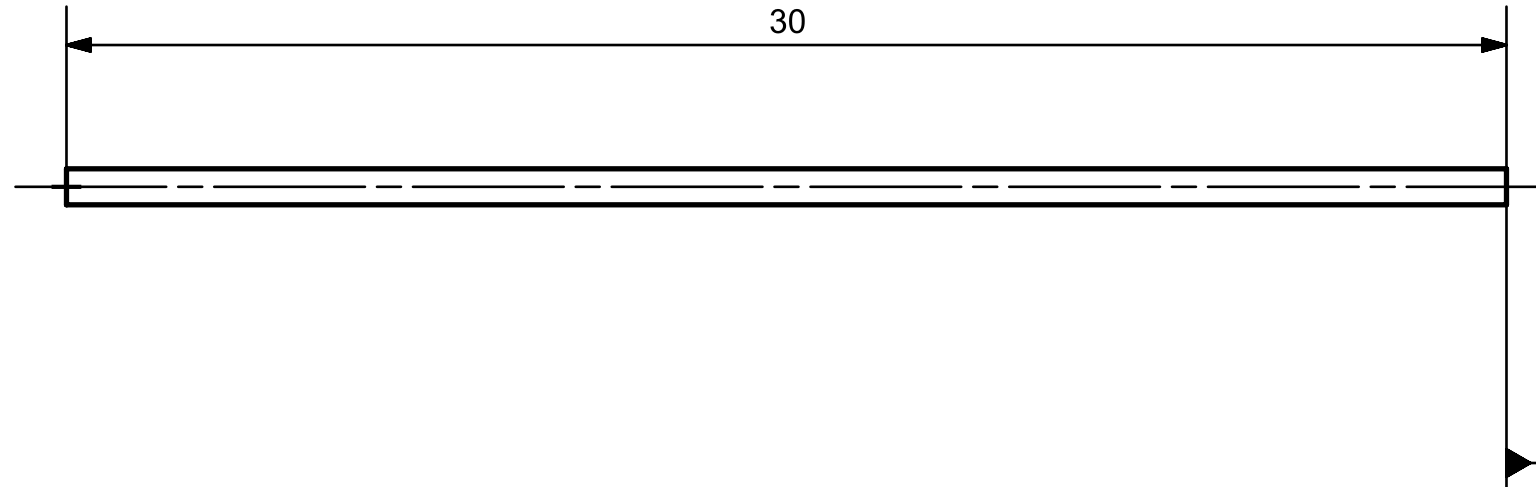
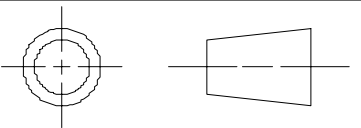


UNLESS OTHERWISE SPECIFIED

ANGLES	X	X.X	X.XX	X.XXX	X.XXXX
± 0.5°	± 0.025	± 0.020	± 0.010	± 0.005	± 0.0005


		UNIVERSITY OF ROCHESTER			
		TITLE			
FIRST ISSUED	04/29/2022	DRIVETRAIN BOX			
DRAWN BY	DUNG NGUYEN				
MATERIAL	BALTIC BIRCH PLYWOOD	SIZE	DRG NO.	SHEET REV	
FINISH	N/A	B	dnguy23_0c0012		
REVIEWED BY	JIM ALKINS	SCALE 1:1		SHEET 1 OF 1	

ALL DIMENSIONS IN INCHES

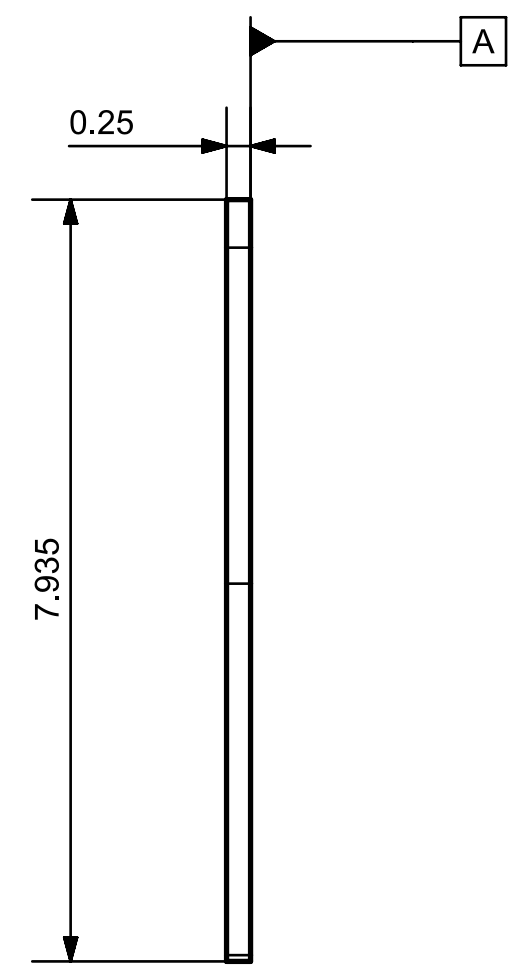
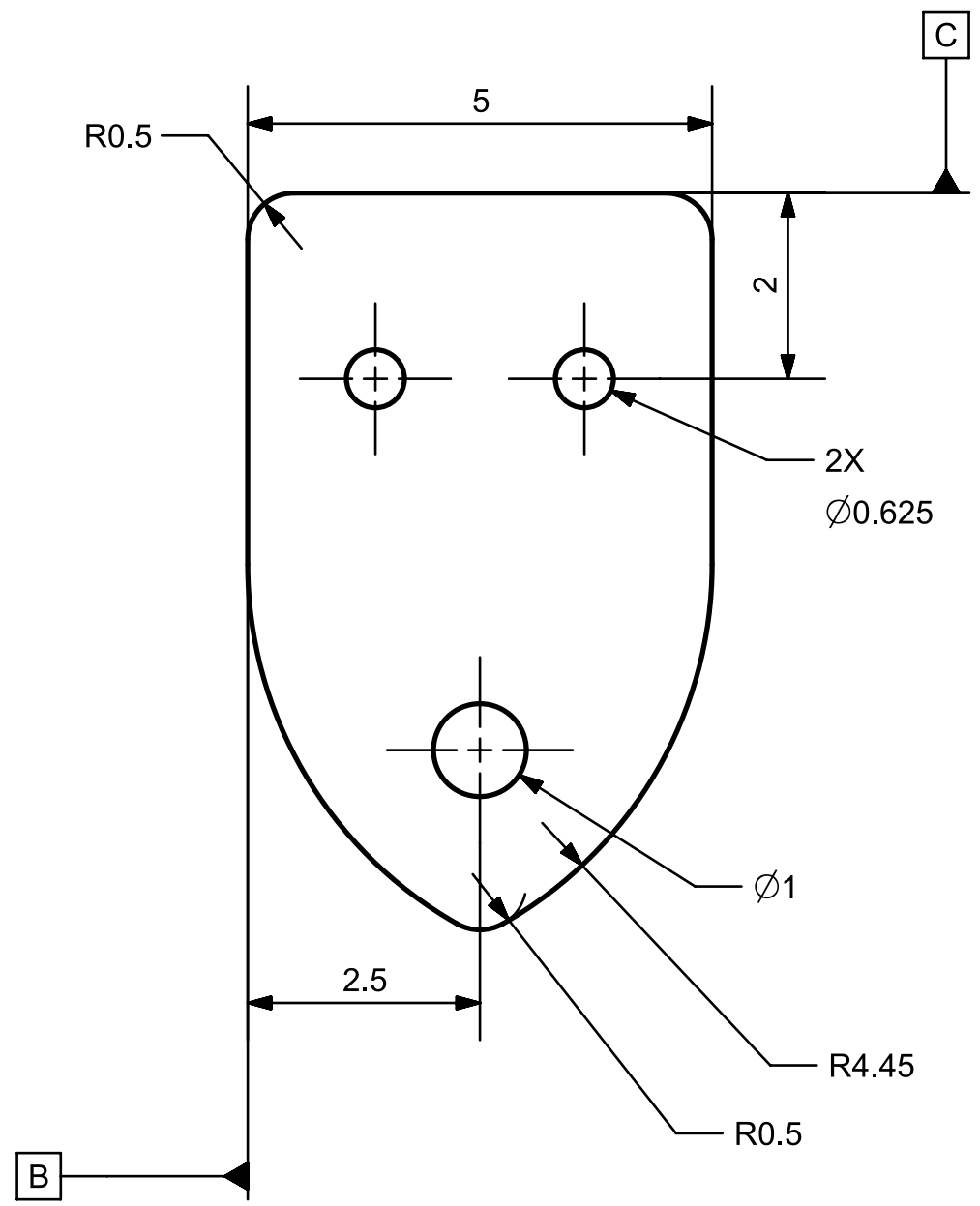
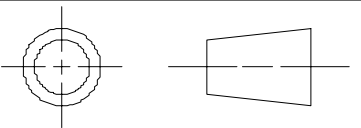


UNLESS OTHERWISE SPECIFIED

ANGLES	X	X.X	X.XX	X.XXX	X.XXXX
± 0.5°	± 0.025	± 0.020	± 0.010	± 0.005	± 0.0005

		UNIVERSITY OF ROCHESTER			
FIRST ISSUED	03/01/2022	TITLE  STEERING COLUMN			
DRAWN BY	MICHAEL HARNISH				
MATERIAL	STEEL				
FINISH	NONE	SIZE	DRG NO.	SHEET REV	
REVIEWED BY	JIM	B	mharnis2_0c00001A		
		SCALE 1:4		SHEET 2 OF 2	

ALL DIMENSIONS IN INCHES



UNLESS OTHERWISE SPECIFIED

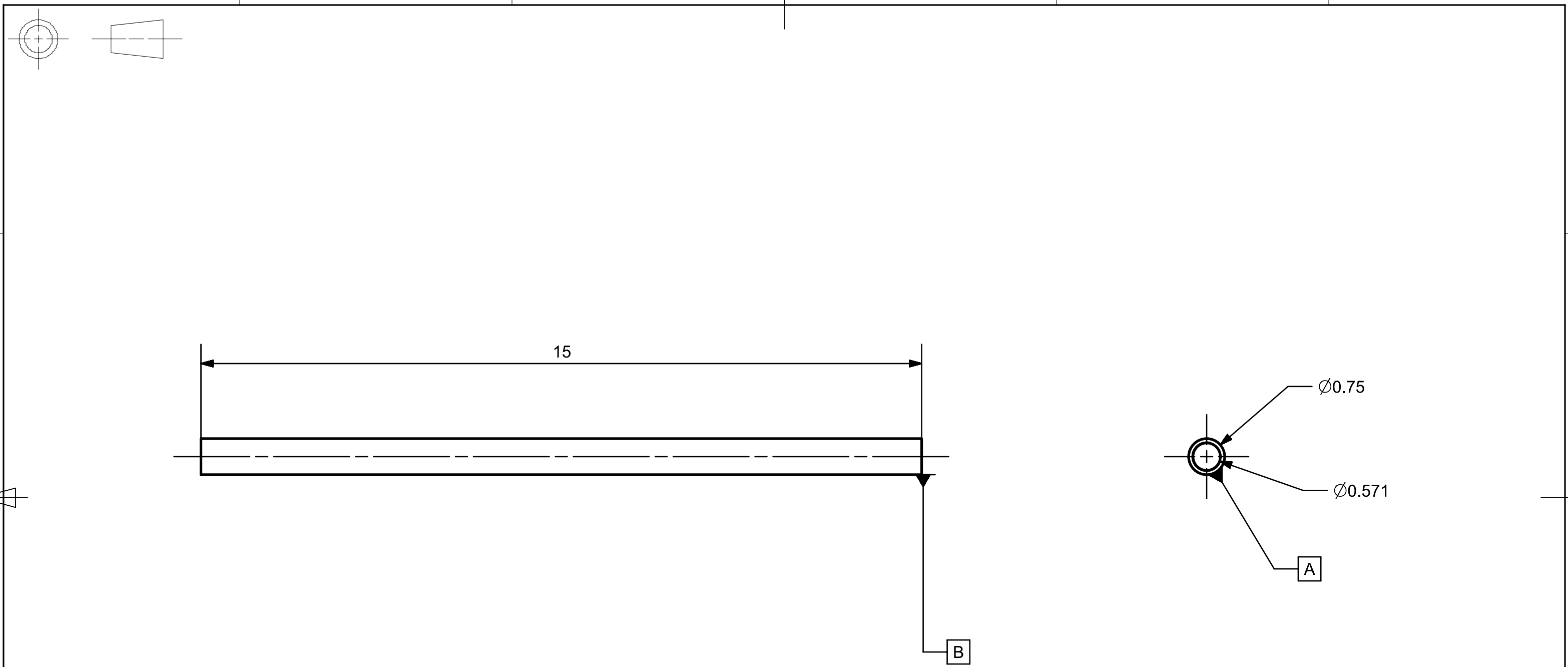
ANGLES ± 0.5°	X ± 0.025	X.X ± 0.020	X.XX ± 0.010	X.XXX ± 0.005	X.XXXX ± 0.0005
------------------	--------------	----------------	-----------------	------------------	--------------------

ALL DIMENSIONS IN INCHES



UNIVERSITY OF ROCHESTER


FIRST ISSUED	03/01/2022	TITLE			
DRAWN BY	MICHAEL HARNISH	STEERING PLATE			
MATERIAL	STEEL				
FINISH	NONE	SIZE	DRG NO.	SHEET REV	
REVIEWED BY	JIM	B	mharnis2_0c00002A	A	
SCALE 1:2			SHEET 2 OF 2		

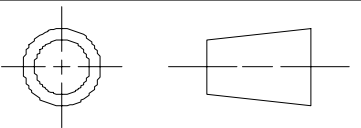


UNLESS OTHERWISE SPECIFIED

ANGLES ± 0.5°	X ± 0.025	X.X ± 0.020	X.XX ± 0.010	X.XXX ± 0.005	X.XXXX ± 0.0005
------------------	--------------	----------------	-----------------	------------------	--------------------

ALL DIMENSIONS IN INCHES

		UNIVERSITY OF ROCHESTER			
FIRST ISSUED	03/01/2022	TITLE  STEERING LINKAGE			
DRAWN BY	MICHAEL HARNISH				
MATERIAL	STEEL				
FINISH	NONE	SIZE	DRG NO.	SHEET REV	
REVIEWED BY	JIM	B	mharnis2_0c00003A		
		SCALE 1:2			SHEET 1 OF 1



A

A

B

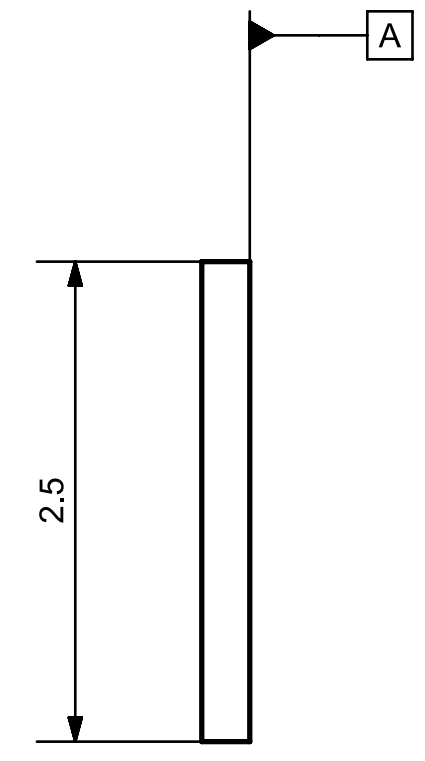
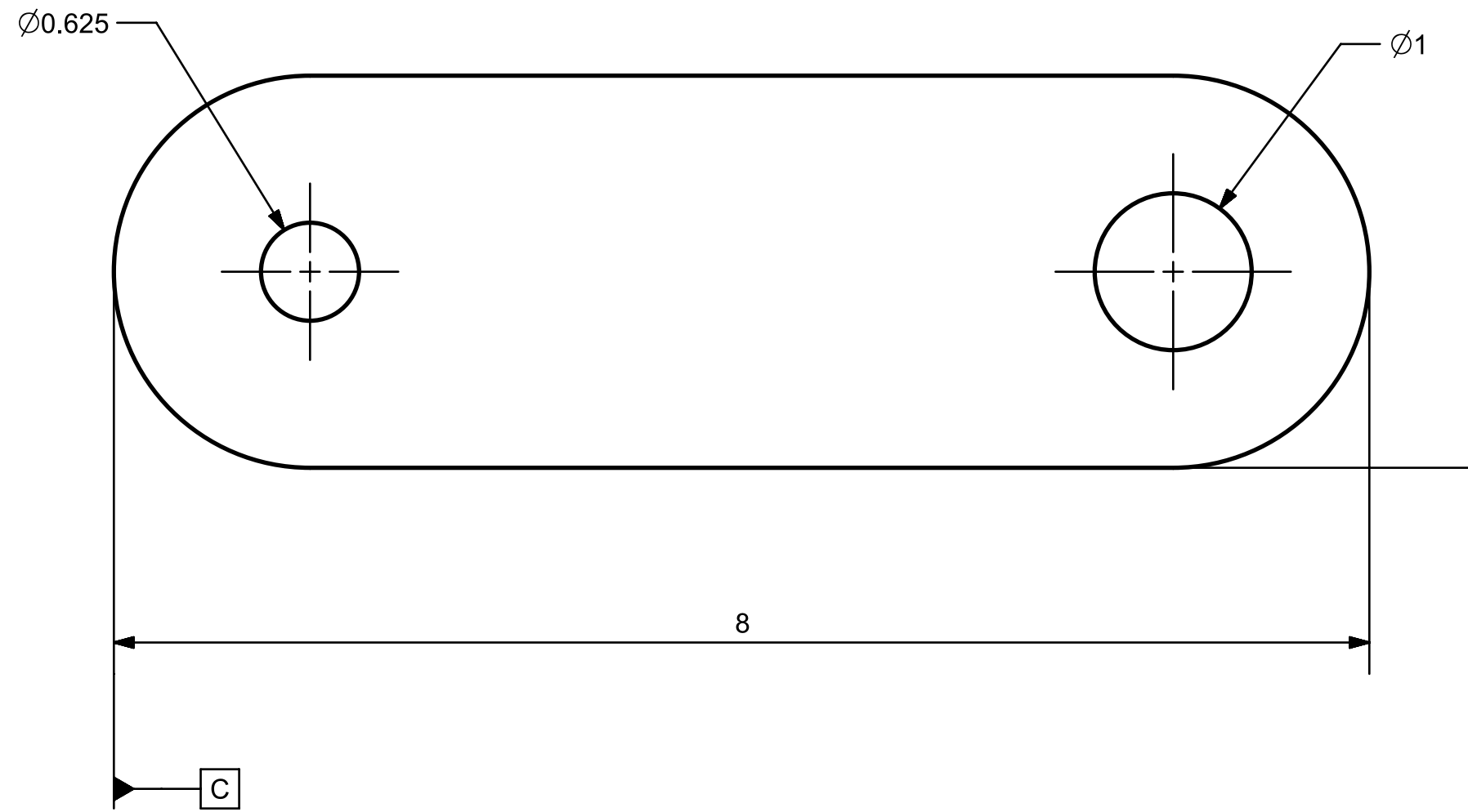
B

C

C

D

D



UNLESS OTHERWISE SPECIFIED

ANGLES $\pm 0.5^\circ$	X $\pm 0.025$	X.X $\pm 0.020$	X.XX $\pm 0.010$	X.XXX $\pm 0.005$	X.XXXX $\pm 0.0005$
---------------------------	------------------	--------------------	---------------------	----------------------	------------------------

ALL DIMENSIONS IN INCHES



UNIVERSITY OF ROCHESTER

FIRST ISSUED	4/28/2022	TITLE		
DRAWN BY	MICHAEL HARNISH	STEERING KNUCKLE		
MATERIAL	STEEL			
FINISH	NONE	SIZE	DRG NO.	SHEET REV
REVIEWED BY	JIM ALKINS	B	mharnis2_0c00005C	A
		SCALE 1:1	SHEET 3 OF 3	

1

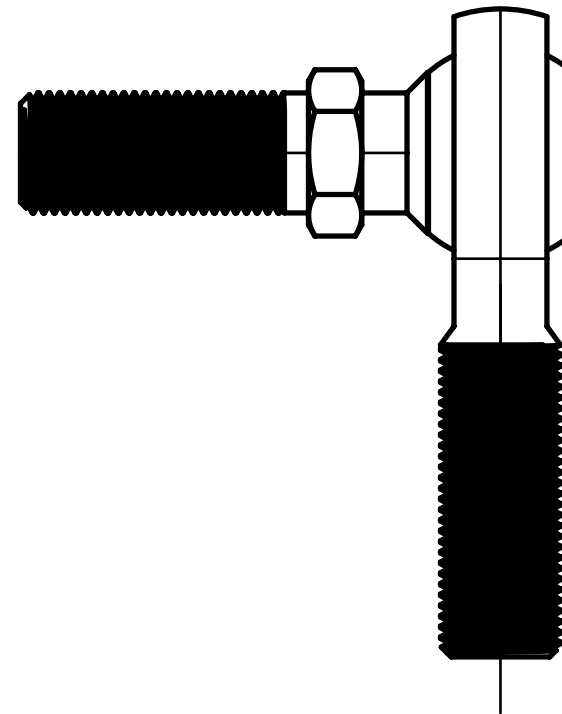
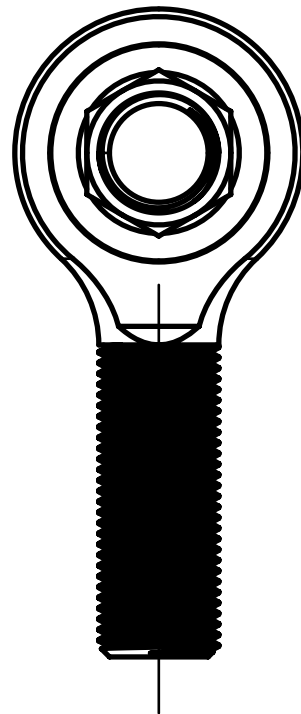
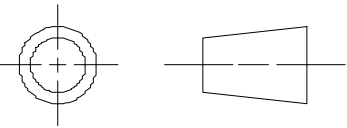
2

3

4


5

6

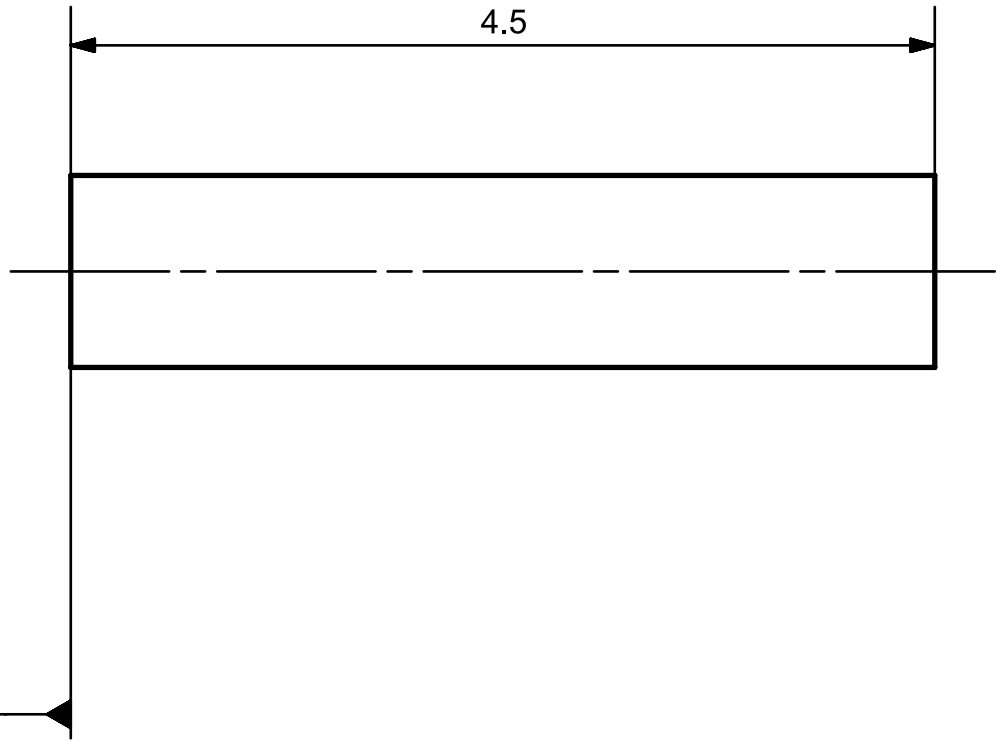
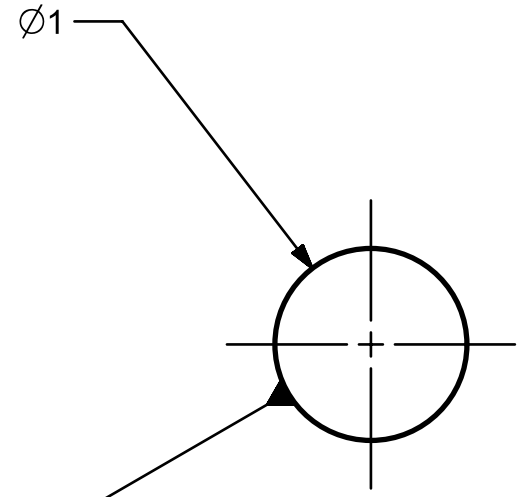
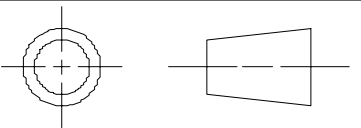


UNLESS OTHERWISE SPECIFIED

ANGLES ± 0.5°	X ± 0.025	X.X ± 0.020	X.XX ± 0.010	X.XXX ± 0.005	X.XXXX ± 0.0005
------------------	--------------	----------------	-----------------	------------------	--------------------

		UNIVERSITY OF ROCHESTER			
FIRST ISSUED	03/01/2022	TITLE  BALL JOINT LINKAGE			
DRAWN BY	McMASTER CARR				
MATERIAL	CARBON STEEL	SIZE B	DRG NO. mharnis2_0c00006A	SHEET REV A	
FINISH	ZINC-PLATED				
REVIEWED BY	MUIR	SCALE 1:1		SHEET 2 OF 2	

ALL DIMENSIONS IN INCHES



UNLESS OTHERWISE SPECIFIED

ANGLES ± 0.5°	X ± 0.025	X.X ± 0.020	X.XX ± 0.010	X.XXX ± 0.005	X.XXXX ± 0.0005
------------------	--------------	----------------	-----------------	------------------	--------------------

ALL DIMENSIONS IN INCHES



UNIVERSITY OF ROCHESTER

FIRST ISSUED	03/01/2022	TITLE			
DRAWN BY	MICHAEL HARNISH	STEERING ROD			
MATERIAL	STEEL				
FINISH	NONE	SIZE	DRG NO.	SHEET REV	
REVIEWED BY	JIM	B	mharnis2_0c00007A	A	
SCALE 1:1			SHEET 1 OF 1		

1

2

3

4

5

6

A

A

B

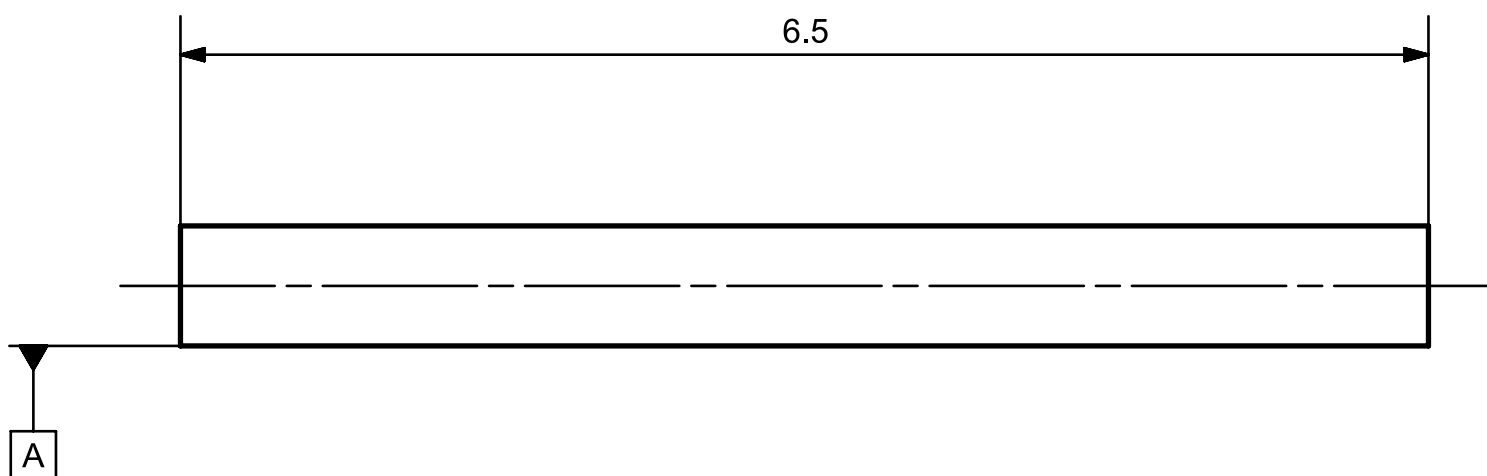
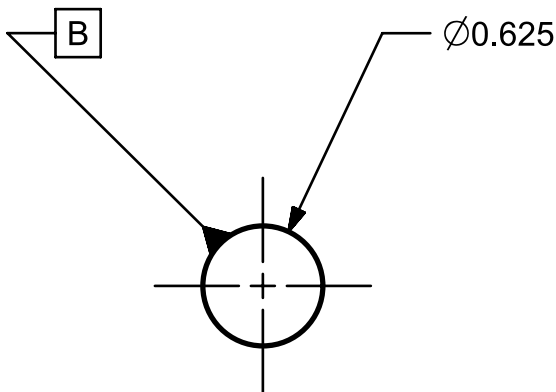
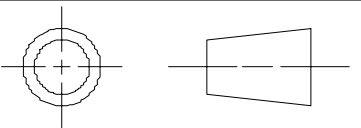
B

C

C

D

D



UNLESS OTHERWISE SPECIFIED

ANGLES ± 0.5°	X ± 0.025	X.X ± 0.020	X.XX ± 0.010	X.XXX ± 0.005	X.XXXX ± 0.0005
------------------	--------------	----------------	-----------------	------------------	--------------------

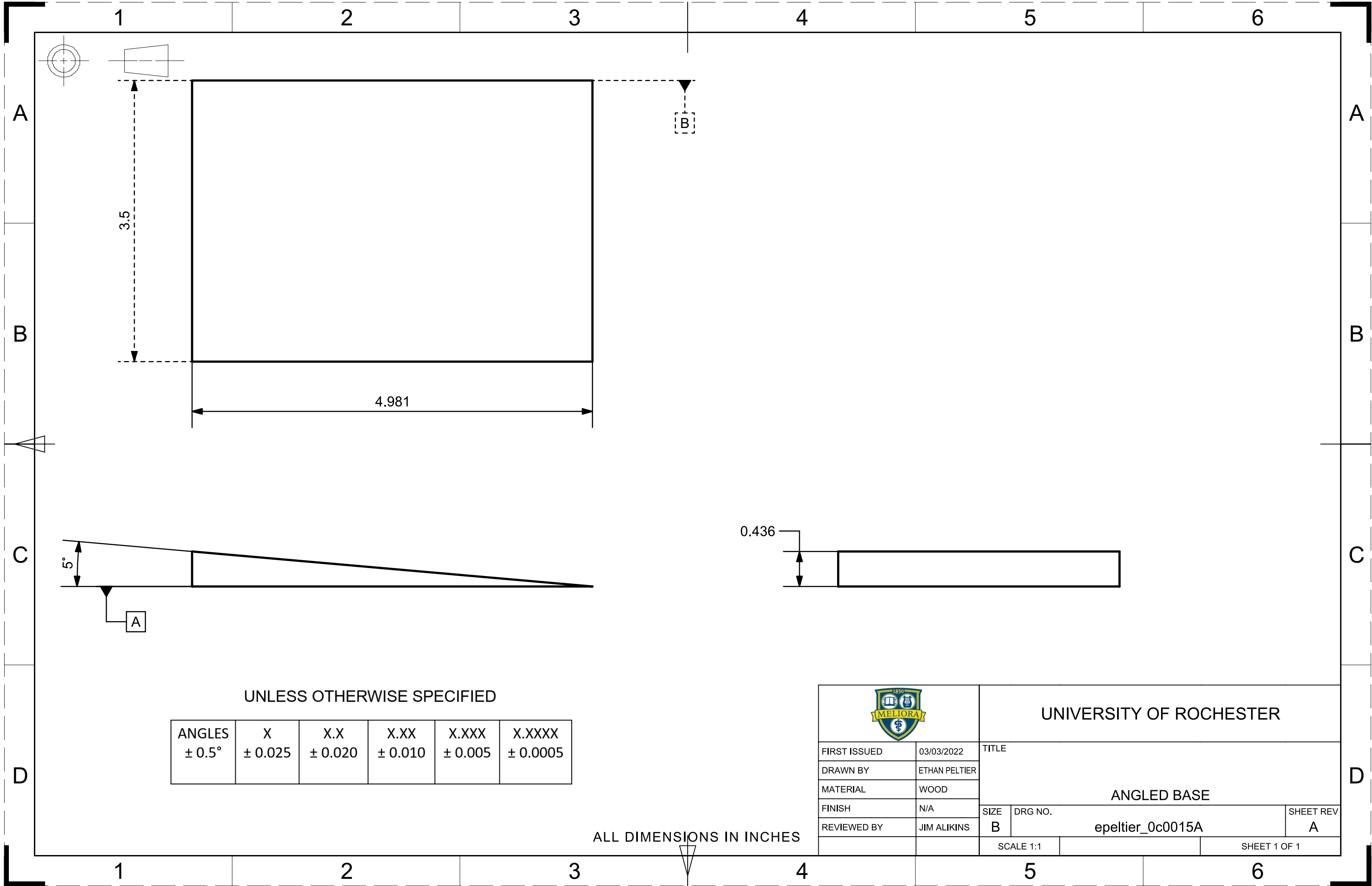
ALL DIMENSIONS IN INCHES



UNIVERSITY OF ROCHESTER

FIRST ISSUED	4/28/2022	TITLE			
DRAWN BY	MICHAEL HARNISH	WHEEL CONNECTING ROD			
MATERIAL	STEEL				
FINISH	GALVANIZED	SIZE	DRG NO.	SHEET REV	
REVIEWED BY	JIM ALKINS	B	mharnis2_0c00015A	A	
SCALE 1:1			SHEET 1 OF 1		





UNLESS OTHERWISE SPECIFIED

ANGLES ± 0.5°	X ± 0.025	X.X ± 0.020	X.XX ± 0.010	X.XXX ± 0.005	X.XXXX ± 0.0005
------------------	--------------	----------------	-----------------	------------------	--------------------

ALL DIMENSIONS IN INCHES



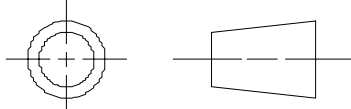
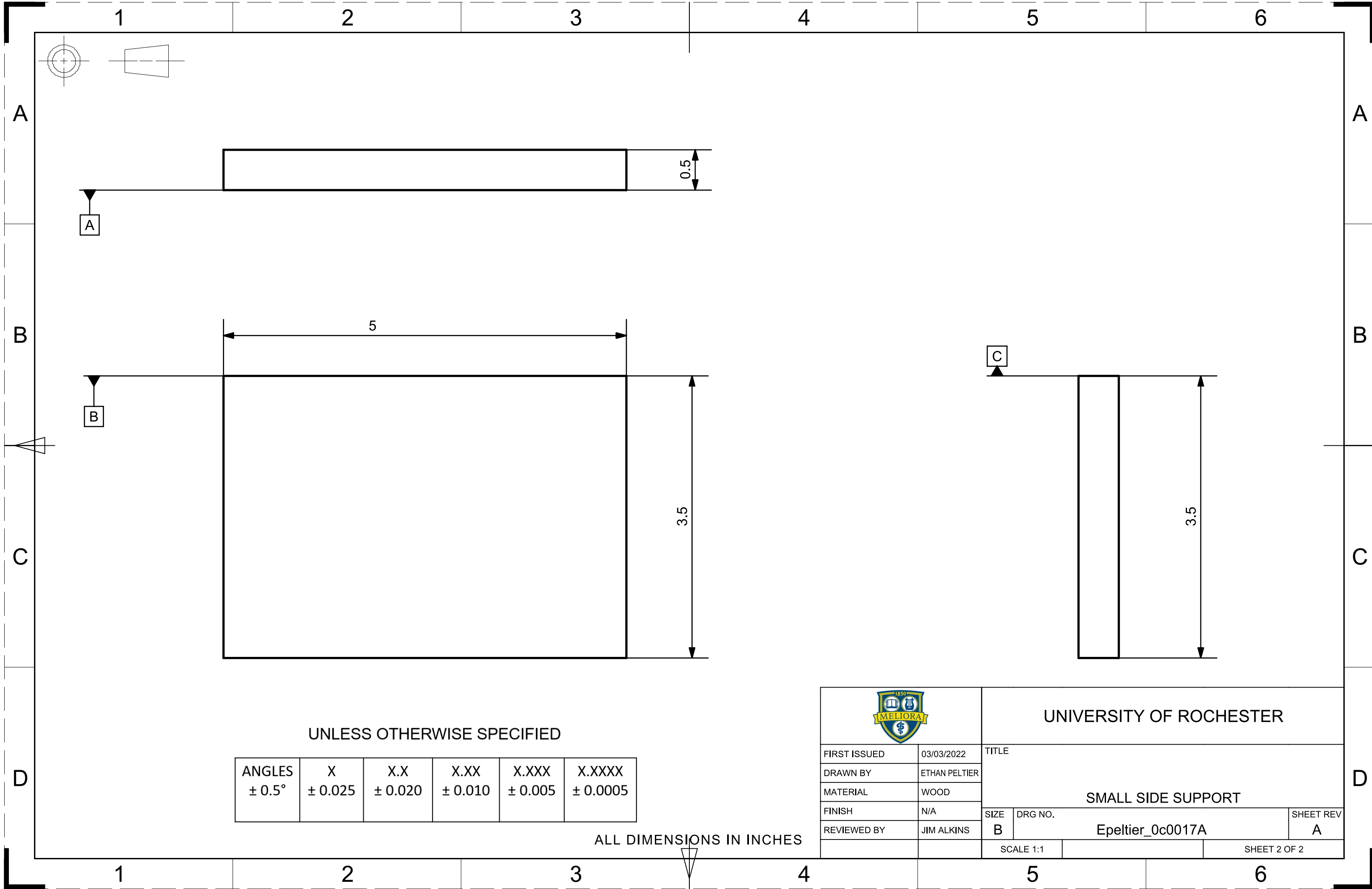
UNIVERSITY OF ROCHESTER

FIRST ISSUED	03/03/2022
DRAWN BY	ETHAN PELTIER
MATERIAL	WOOD
FINISH	N/A
REVIEWED BY	JIM ALIKINS

TITLE	
ANGLED BASE	
SIZE	DRG NO.
B	epeltier_0c0015A
SHEET REV	
A	

SCALE 1:1

SHEET 1 OF 1



UNLESS OTHERWISE SPECIFIED

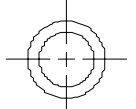
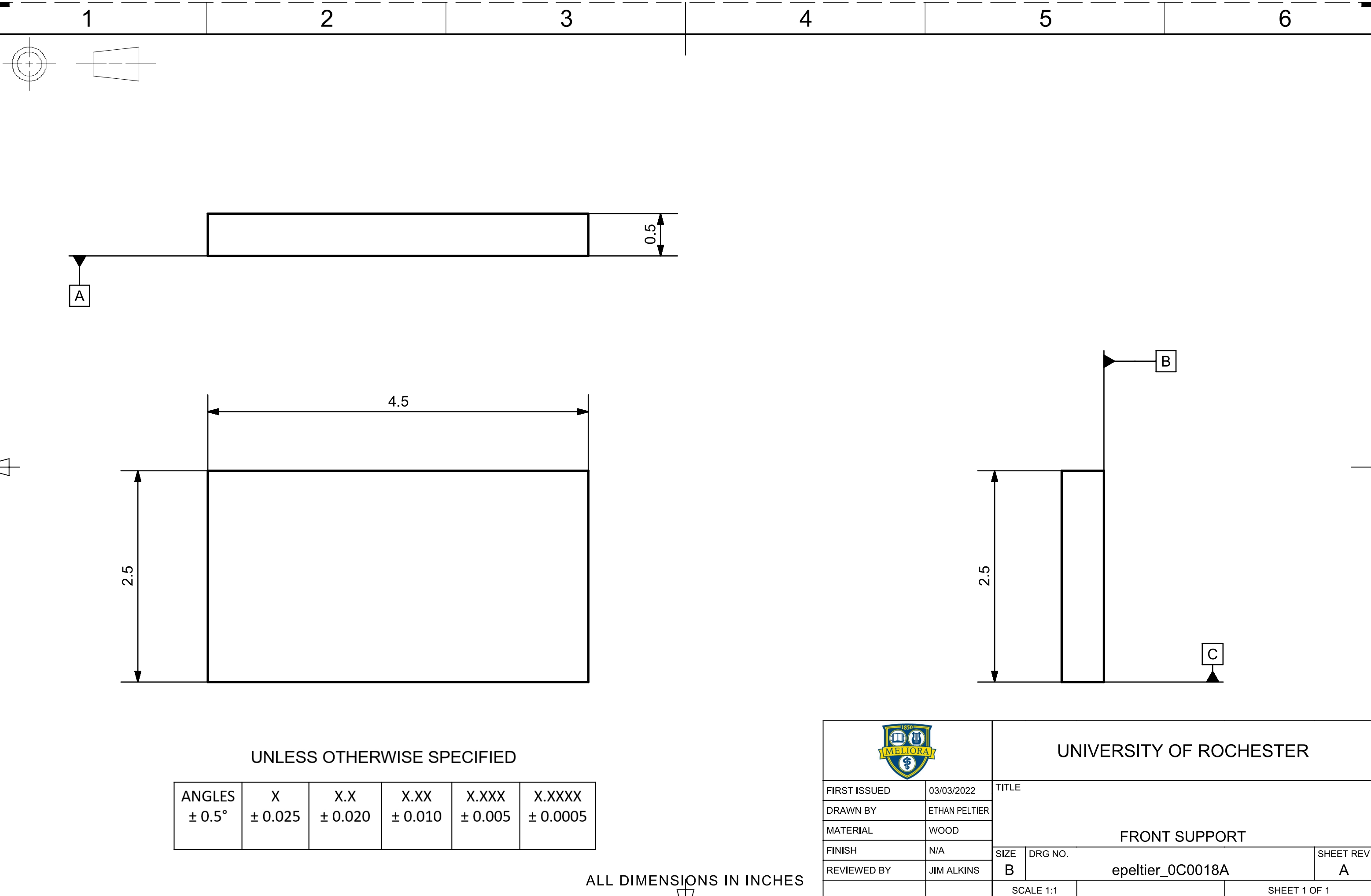
ANGLES	X	X.X	X.XX	X.XXX	X.XXXX
± 0.5°	± 0.025	± 0.020	± 0.010	± 0.005	± 0.0005

ALL DIMENSIONS IN INCHES



UNIVERSITY OF ROCHESTER

FIRST ISSUED	03/03/2022	TITLE		
DRAWN BY	ETHAN PELTIER	SMALL SIDE SUPPORT		
MATERIAL	WOOD			
FINISH	N/A	SIZE	DRG NO.	SHEET REV
REVIEWED BY	JIM ALKINS	B	Epeltier_0c0017A	A
		SCALE 1:1	SHEET 2 OF 2	



UNLESS OTHERWISE SPECIFIED

ANGLES	X	X.X	X.XX	X.XXX	X.XXXX
$\pm 0.5^\circ$	$\pm 0.025$	$\pm 0.020$	$\pm 0.010$	$\pm 0.005$	$\pm 0.0005$

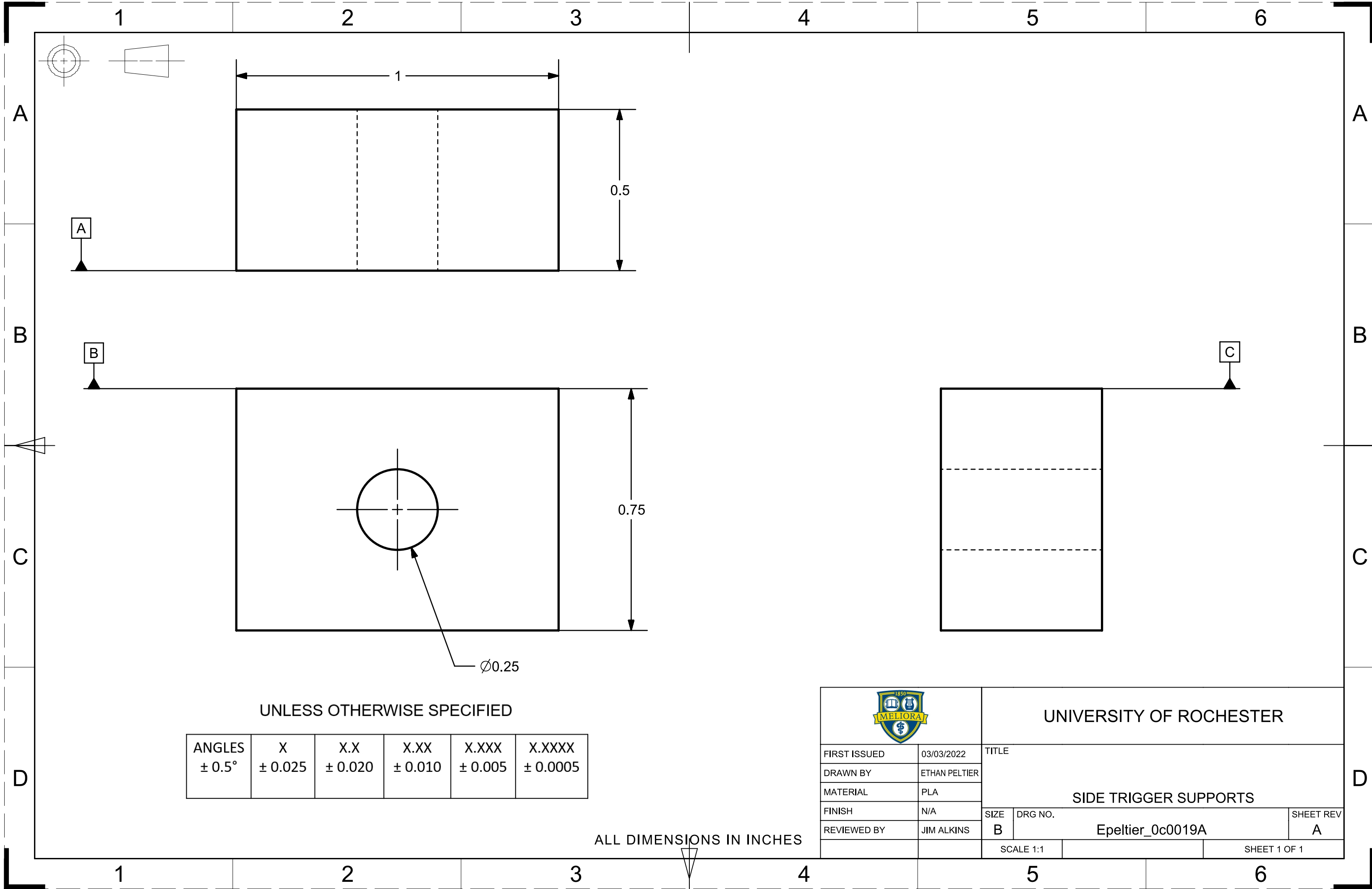
ALL DIMENSIONS IN INCHES



UNIVERSITY OF ROCHESTER

FIRST ISSUED	03/03/2022
DRAWN BY	ETHAN PELTIER
MATERIAL	WOOD
FINISH	N/A
REVIEWED BY	JIM ALKINS

TITLE		FRONT SUPPORT	
SIZE	DRG NO.	SHEET REV	
B	epeltier_0C0018A	A	
SCALE 1:1		SHEET 1 OF 1	



UNLESS OTHERWISE SPECIFIED

ANGLES ± 0.5°	X ± 0.025	X.X ± 0.020	X.XX ± 0.010	X.XXX ± 0.005	X.XXXX ± 0.0005
------------------	--------------	----------------	-----------------	------------------	--------------------

ALL DIMENSIONS IN INCHES



UNIVERSITY OF ROCHESTER

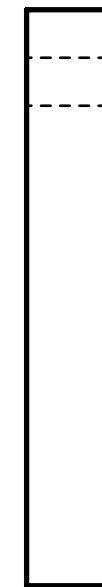
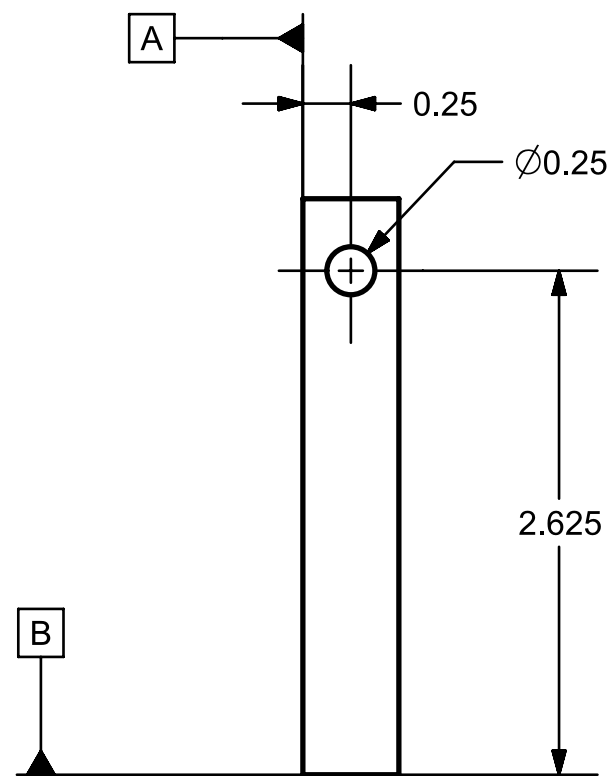
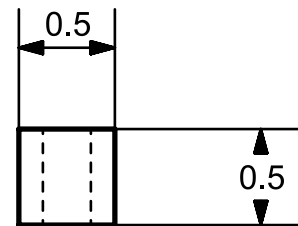
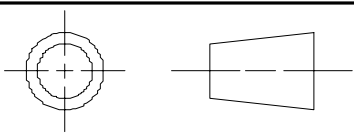
FIRST ISSUED	03/03/2022
DRAWN BY	ETHAN PELTIER
MATERIAL	PLA
FINISH	N/A
REVIEWED BY	JIM ALKINS

TITLE	
SIDE TRIGGER SUPPORTS	
SIZE	DRG NO.
B	Epeltier_0c0019A

SHEET REV
A

SCALE 1:1

SHEET 1 OF 1



UNLESS OTHERWISE SPECIFIED

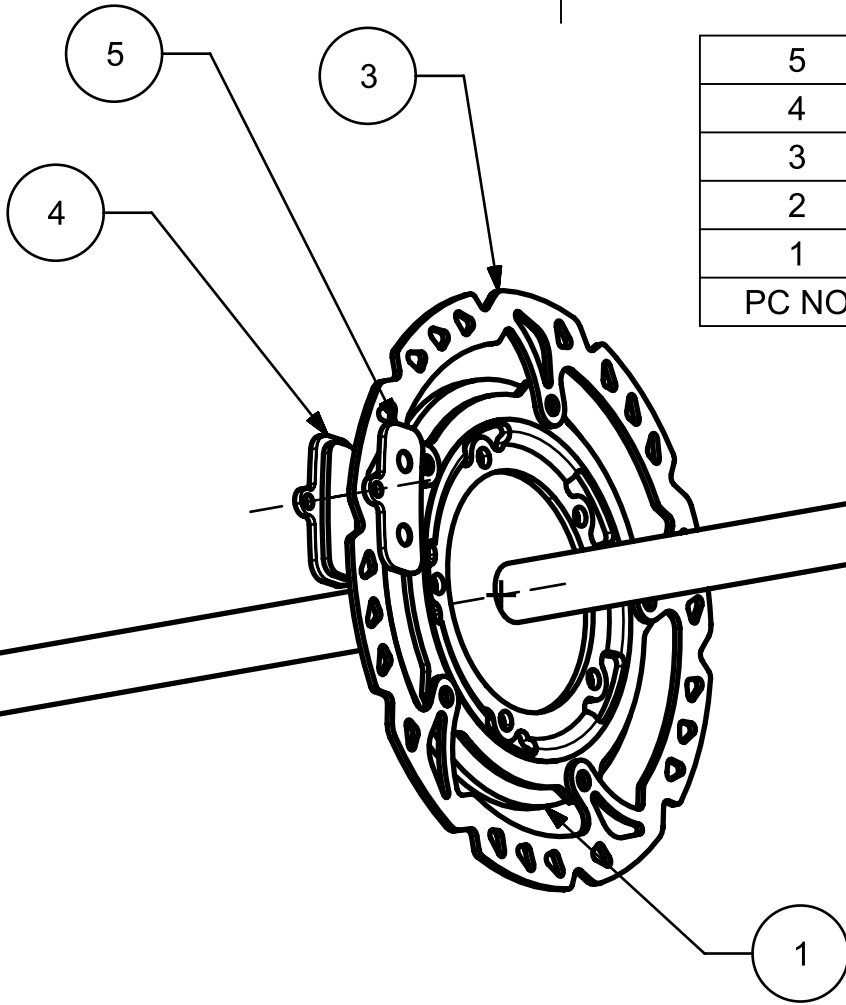
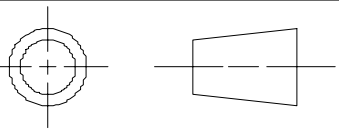
ANGLES ± 0.5°	X ± 0.025	X.X ± 0.020	X.XX ± 0.010	X.XXX ± 0.005	X.XXXX ± 0.0005
------------------	--------------	----------------	-----------------	------------------	--------------------

ALL DIMENSIONS IN INCHES



UNIVERSITY OF ROCHESTER


FIRST ISSUED	03/03/2022	TITLE		
DRAWN BY	ETHAN PELTIER	TRIGGER MECHANISM		
MATERIAL	WOOD			
FINISH	N/A	SIZE	DRG NO.	SHEET REV
REVIEWED BY	JIM ALKINS	B	Epeltier_0c0020A	A
		SCALE 1:1	SHEET 1 OF 1	



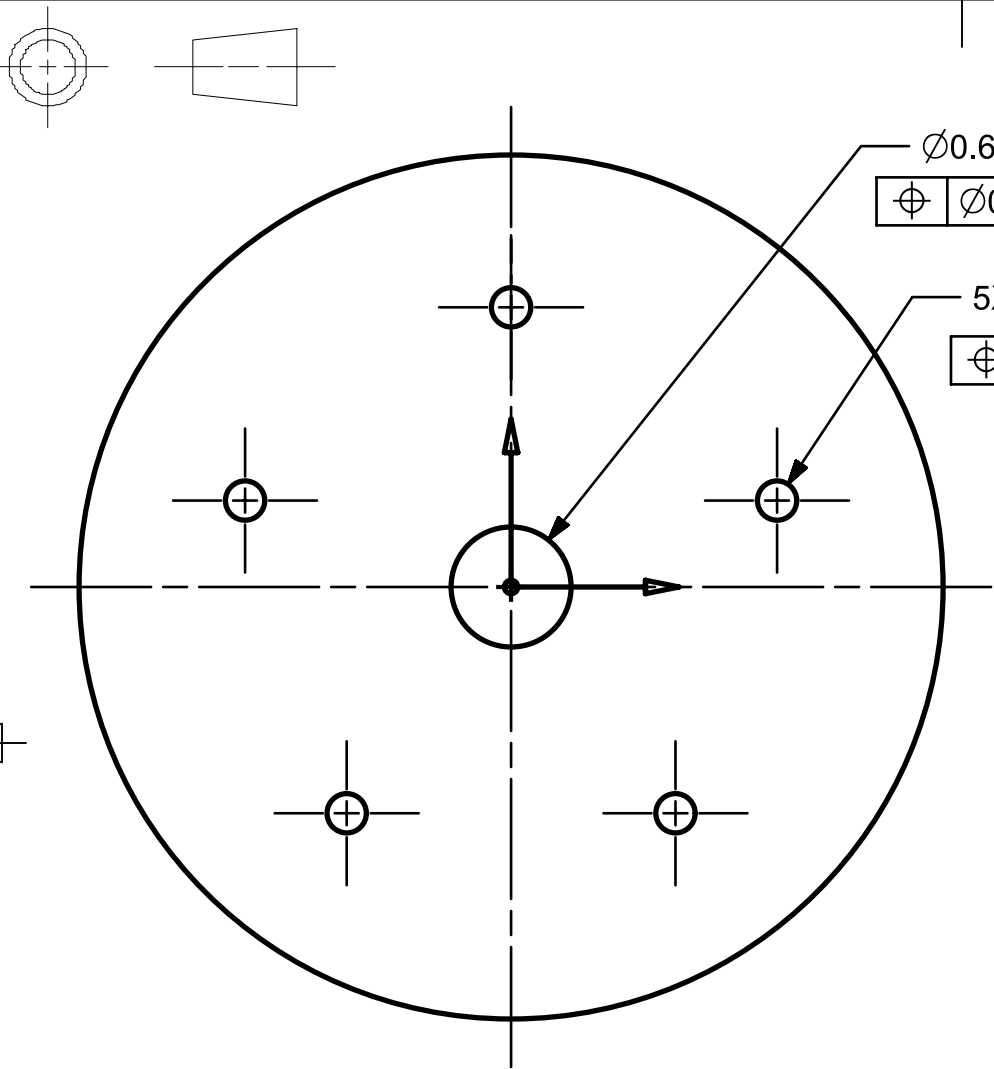
5	ANAHAR_0C00002A	1
4	ANAHAR_0C00001A	1
3	ANAHAR_0C00003A	1
2	ANAHAR_0C00004A	1
1	ANAHAR_0C00005A	1
PC NO	PART NAME	QTY

UNLESS OTHERWISE SPECIFIED

ANGLES ± 0.5°	X ± 0.025	X.X ± 0.020	X.XX ± 0.010	X.XXX ± 0.005	X.XXXX ± 0.0005
------------------	--------------	----------------	-----------------	------------------	--------------------

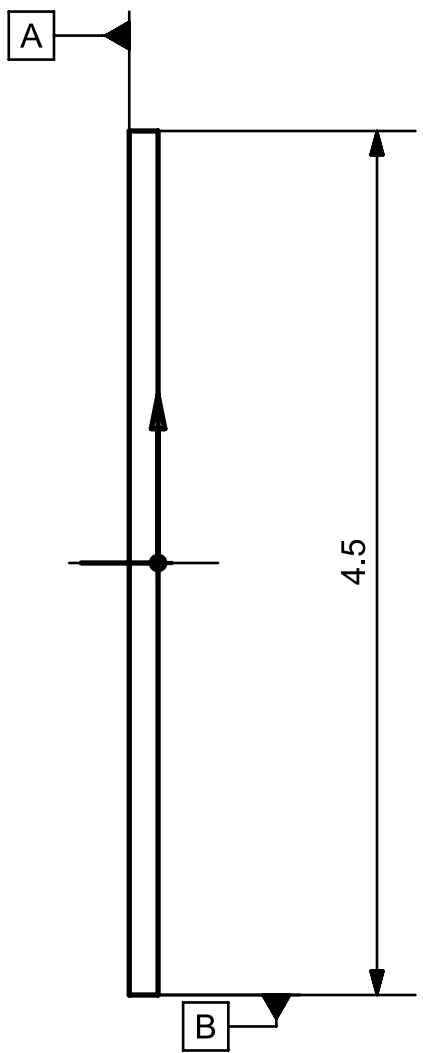
		UNIVERSITY OF ROCHESTER		
FIRST ISSUED	03/01/2022	TITLE  <b>BRAKES ASSEMBLY</b>		
DRAWN BY	ANAHAR			
MATERIAL				
FINISH				
REVIEWED BY		SIZE	DRG NO.	SHEET REV
		A	anahar_0a00001A	A
		SCALE 1:2	SHEET 1 OF 1	

ALL DIMENSIONS IN INCHES



Ø0.625  
 ⊕ Ø0.05(M) A B

5X Ø0.205  
 ⊕ Ø0.05(M) A B



4.5



UNIVERSITY OF ROCHESTER

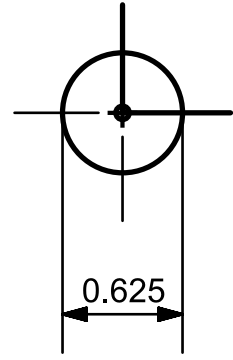
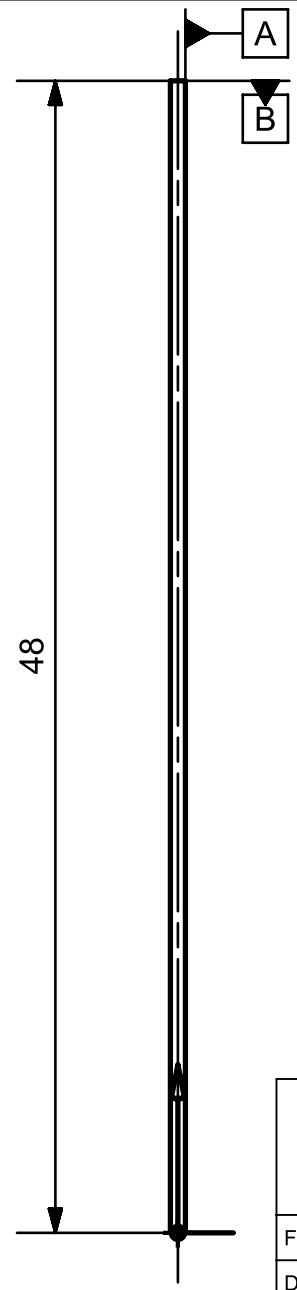
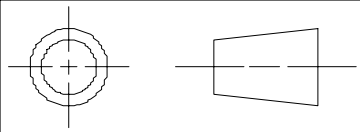
UNLESS OTHERWISE SPECIFIED

ANGLES	X	X.X	X.XX	X.XXX	X.XXXX
± 0.5°	± 0.025	± 0.020	± 0.010	± 0.005	± 0.0005

FIRST ISSUED	03/01/2022	TITLE	
DRAWN BY	ANAHAR	DISC_MOUNT_PLATE	
MATERIAL	STEEL		
FINISH	NA	SIZE	DRG NO.
REVIEWED BY	ANAHAR	A	anahar_0c00005A
		SCALE 1:1	SHEET 1 OF 1

TITLE		DISC_MOUNT_PLATE	
SIZE	DRG NO.	SHEET REV	
A	anahar_0c00005A	A	
SCALE 1:1			SHEET 1 OF 1

ALL DIMENSIONS IN INCHES



UNLESS OTHERWISE SPECIFIED

ANGLES ± 0.5°	X ± 0.025	X.X ± 0.020	X.XX ± 0.010	X.XXX ± 0.005	X.XXXX ± 0.0005
------------------	--------------	----------------	-----------------	------------------	--------------------

ALL DIMENSIONS IN INCHES



UNIVERSITY OF ROCHESTER

FIRST ISSUED		03/01/2022		TITLE	
DRAWN BY		ANAHAR			
MATERIAL		STEEL			
FINISH		NA		AXLE	
REVIEWED BY		ANAHAR			
		SIZE	DRG NO.	SHEET REV	
		A	anahar_0c00004A	A	
		SCALE 1:1		SHEET 1 OF 1	

1

2

3

4

A

A

B

B

C

C

D

D

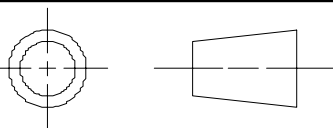
1

2

3

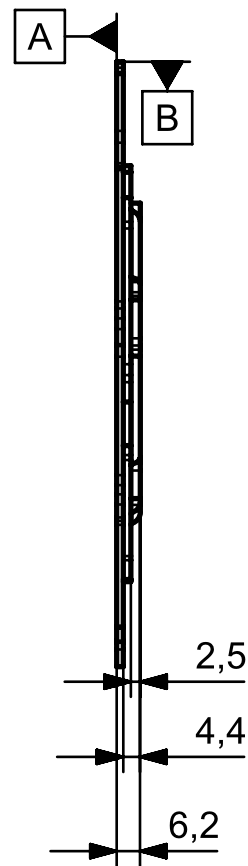
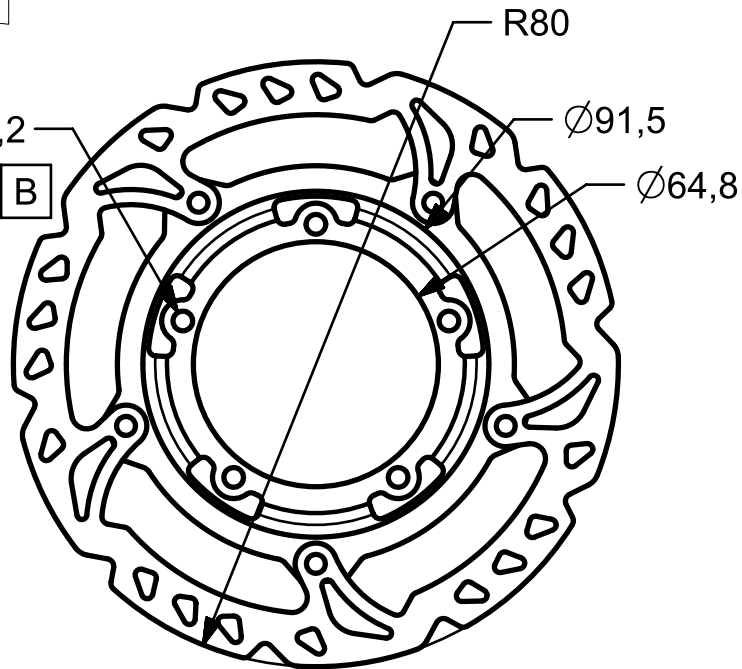
4





5X Ø5,2

⊕	Ø0.5(M)	A	B
---	---------	---	---



UNLESS OTHERWISE SPECIFIED

ANGLES ± 0.5°	X ± 0.500	X.X ± 0.100	X.XX ± 0.010	X.XXX ± 0.005
------------------	--------------	----------------	-----------------	------------------

ALL DIMENSIONS IN MM

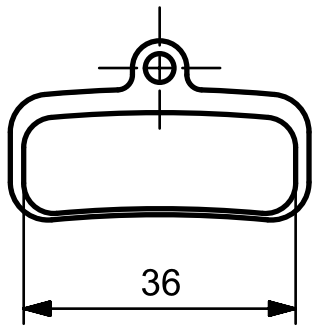
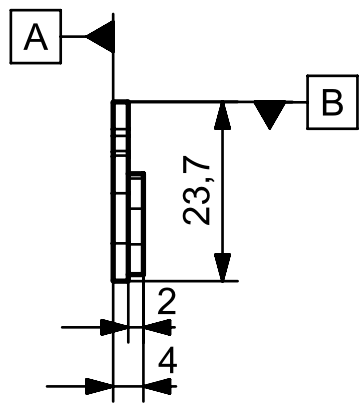
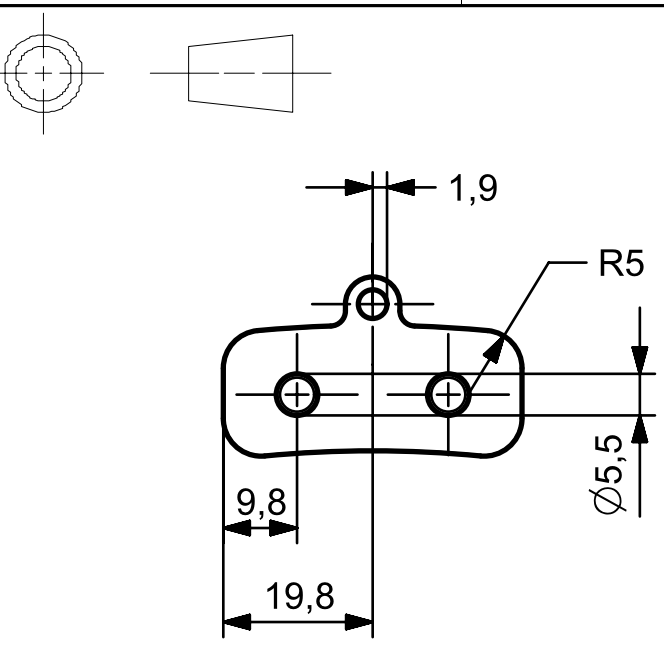


UNIVERSITY OF ROCHESTER

FIRST ISSUED	03/01/2022
DRAWN BY	GRABCAD
MATERIAL	STEEL
FINISH	NA
REVIEWED BY	ANA HAR

TITLE		BRAKE_DISC	
SIZE	DRG NO.	SHEET REV	
A4	anahar_0c00003A	A	

SCALE 1:2 SHEET 1 OF 1



UNLESS OTHERWISE SPECIFIED

ANGLES	X	X.X	X.XX	X.XXX
± 0.5°	± 0.500	± 0.100	± 0.010	± 0.005

ALL DIMENSIONS IN MM

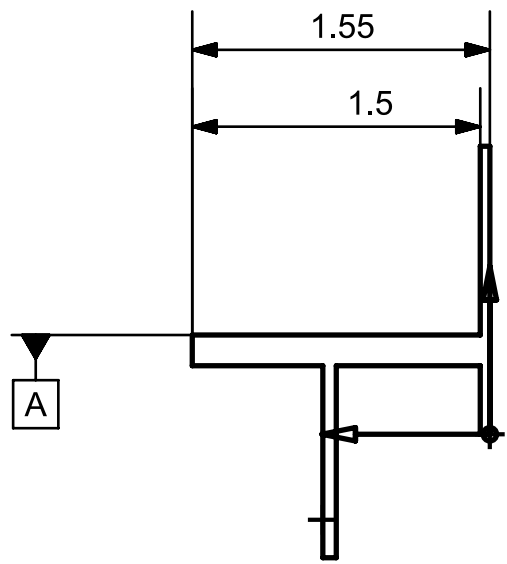
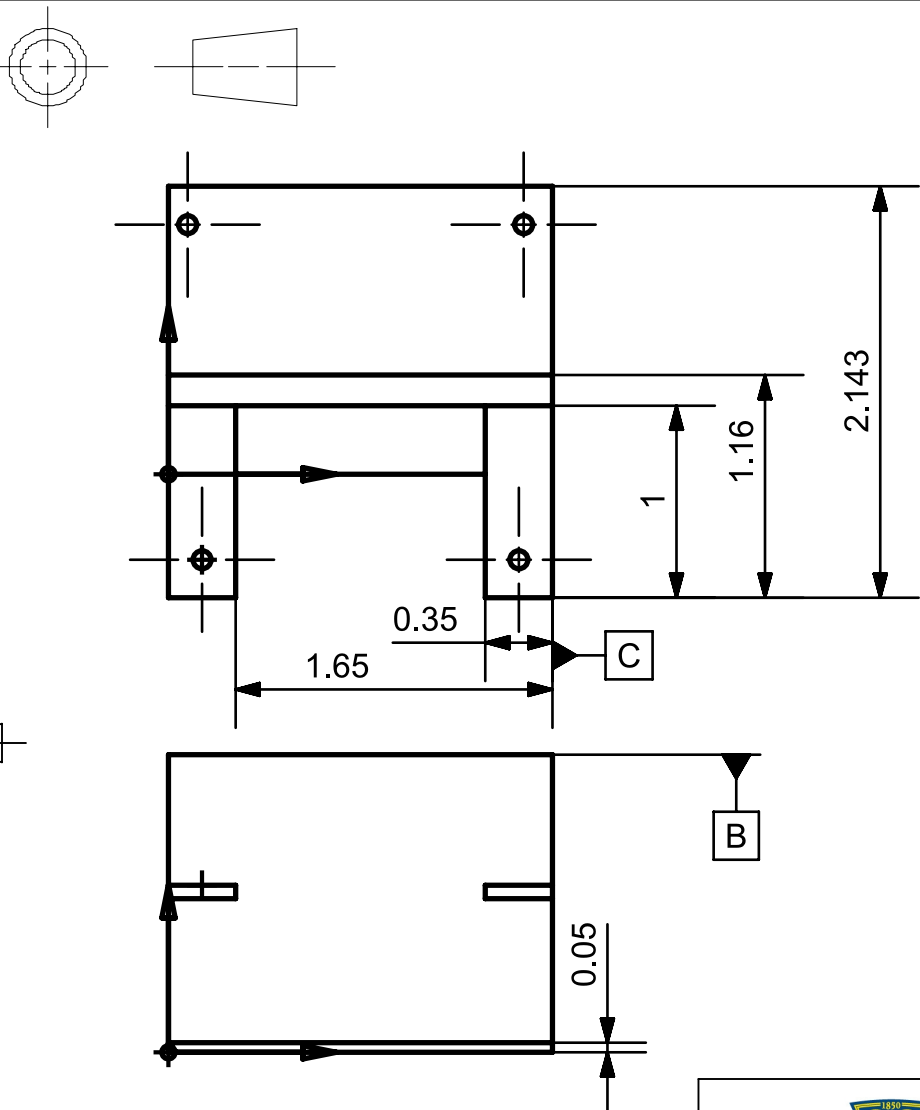


UNIVERSITY OF ROCHESTER

FIRST ISSUED	03/01/2022
DRAWN BY	GRABCAD
MATERIAL	ALUMINIUM
FINISH	NA
REVIEWED BY	ANA HAR

TITLE		BRAKEPAD		SHEET REV A
SIZE	DRG NO.			
A4	anahar_0c00001A			

SCALE 1:1 SHEET 1 OF 1



UNLESS OTHERWISE SPECIFIED

ANGLES ± 0.5°	X ± 0.025	X.X ± 0.020	X.XX ± 0.010	X.XXX ± 0.005	X.XXXX ± 0.0005
------------------	--------------	----------------	-----------------	------------------	--------------------

ALL DIMENSIONS IN INCHES



UNIVERSITY OF ROCHESTER

FIRST ISSUED		03/03/2022		TITLE	
DRAWN BY		ANA HAR		CALIPER MOUNT	
MATERIAL		STEEL			
FINISH		NA			
REVIEWED BY		ANA HAR		SIZE	DRG NO.
				A	anahar_0c00006A
				SCALE 1:1	SHEET 1 OF 1
					SHEET REV
					A